



ASTAM



**CAST IRON
DUCTILE IRON**



**JIS****PAGE**

CAST IRON GATE VALVE	01
DUCTILE IRON GATE VALVE	03
CAST IRON GLOBE VALVE	05
DUCTILE IRON GLOBE VALVE	06
CAST IRON SWING CHECK VALVE	07
DUCTILE IRON SWING CHECK VALVE	08
CAST IRON Y-STRAINER	09
DUCTILE IRON Y-STRAINER	10

ANSI

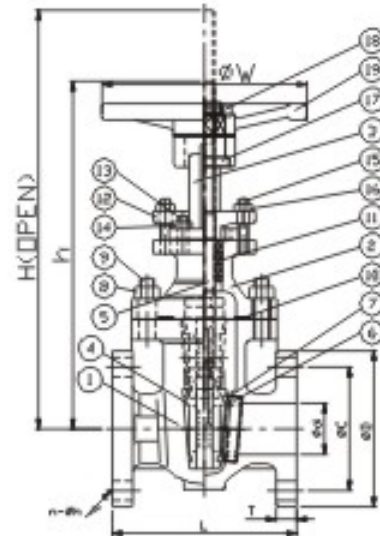
CAST IRON GATE VALVE	11
DUCTILE IRON GATE VALVE	13
CAST IRON GLOBE VALVE	15
DUCTILE IRON GLOBE VALVE	16
CAST IRON SWING CHECK VALVE	17
DUCTILE IRON SWING CHECK VALVE	18
CAST IRON Y-STRAINER	19
DUCTILE IRON Y-STRAINER	20

BS

CAST IRON GATE VALVE	21
DUCTILE IRON GATE VALVE	25
CAST IRON GLOBE VALVE	27
DUCTILE IRON GLOBE VALVE	29
CAST IRON SWING CHECK VALVE	30
DUCTILE IRON SWING CHECK VALVE	32
CAST IRON Y-STRAINER	33
DUCTILE IRON Y-STRAINER	35

References

FLANGE DIMENSIONAL LIST	36
--------------------------------	-----------

CAST IRON GATE VALVE(RISING STEM)-JIS 2239 10K

(FIG.No.):GTJIF-CB

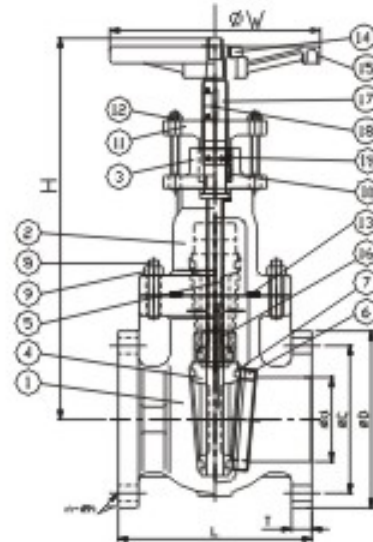
No.	Part Name	Materials
1.	Body	FC200
2.	Bonnet	FC200
3.	Yoke	FC200
4.	Disc	FC200
5.	Stem	13%Cr.
6.	Body Seat	CAC406
7.	Disc Seat	CAC406
8.	Bonnet Bolt	SNB7
9.	Bonnet Nut	G4501-2H
10.	Gasket	Grafol+Steel
11.	Gland Packing	Graphite
12.	Gland Plate	FC200

No.	Part Name	Materials
13.	Yoke Bolt	SS400
14.	Yoke Nut	SS400
15.	Gland Bolt	SNB7
16.	Gland Nut	G4501-2H
17.	Stem Nut	CAC406
18.	Hand Wheel Nut	FCD450
19.	Hand Wheel	FCD450

Test Pressure(JIS B 2003)		
(Shell) Water	(Seat) Water	(Seat) Air
1.5MPa	1.1MPa	0.6MPa

Unit:mm

DN	φd	L	h	H (OPEN)	φW	FLANGE					WT(kg)
						φD	φC	T	n	φh	
50	50	180	339	408	200	155	120	20	4	19	19
65	65	190	389	468	200	175	140	22	4	19	28
80	80	200	404	506	200	185	150	22	8	19	37
100	100	230	492	612	250	210	175	24	8	19	52
125	125	250	545	693	300	250	210	24	8	23	70
150	150	270	612	787	300	280	240	26	8	23	90
200	200	290	714	939	350	330	290	26	12	23	141
250	250	330	918	1195	400	400	355	30	12	25	227
300	300	350	1017	1350	450	445	400	32	16	25	292

CAST IRON GATE VALVE(NON-RISING STEM)-JIS 2239 10K

(FIG.No.):NGTJIF-CB

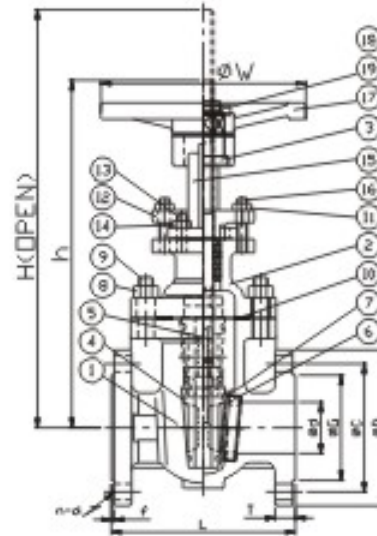
No.	Part Name	Materials
1.	Body	FC200
2.	Bonnet	FC200
3.	Stuffing Box	FC200
4.	Disc	FC200
5.	Stem	13%Cr.
6.	Body Seat	CAC406
7.	Disc Seat	CAC406
8.	Bonnet Bolt	SNB7
9.	Bonnet Nut	G4501-2H
10.	Gland Packing	Graphite
11.	Gland Plate	FC200
12.	Gland Bolt	SNB7

No.	Part Name	Materials
13.	Gasket	Grafolli+Steel
14.	Hand Wheel	FCD450
15.	Hand Wheel Nut	SS400
16.	Stem Nut	CAC406
17.	Indicator Plate	SS400
18.	Indicator Nut	FCD450
19.	Indicator Plate Bolt	SS400

Test Pressure(JIS B 2003)		
(Shell) Water	(Seat) Water	(Seat) Air
1.5MPa	1.1MPa	0.6MPa

Unit:mm

DN	φd	L	H	φW	FLANGE					WT(kg)
					φD	φC	T	n	φh	
50	50	180	270	200	155	120	20	4	19	21
65	65	190	304	200	175	140	22	4	19	26
80	80	200	340	200	185	150	22	8	19	33
100	100	230	427	250	210	175	24	8	19	50
125	125	250	460	300	250	210	24	8	23	70
150	150	270	493	300	280	240	26	8	23	88
200	200	290	607	350	330	290	26	12	23	127
250	250	330	714	400	400	355	30	12	25	198
300	300	350	789	450	445	400	32	16	25	275

DUCTILE IRON GATE VALVE(RISING STEM)-JIS 2239 10K

(FIG.No.):GTJ3R-DB

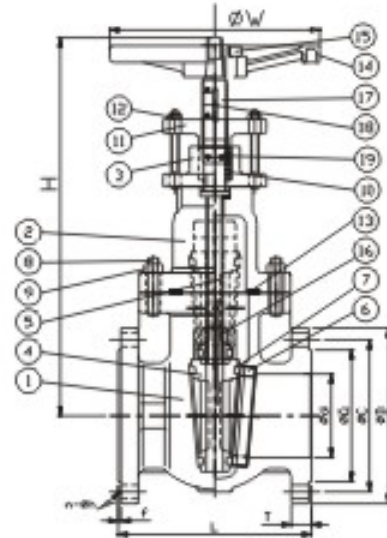
No.	Part Name	Materials
1.	Body	FCD450
2.	Bonnet	FCD450
3.	Yoke	FCD450
4.	Disc	FCD450
5.	Stem	13%Cr.
6.	Body Seat	CAC406
7.	Disc Seat	CAC406
8.	Bonnet Bolt	SNB7
9.	Bonnet Nut	G4501-2H
10.	Gasket	Grafol+Steel
11.	Gland Packing	Graphite
12.	Gland Plate	FCD450

No.	Part Name	Materials
13.	Yoke Bolt	SS400
14.	Yoke Nut	SS400
15.	Gland Bolt	SNB7
16.	Gland Nut	G4501-2H
17.	Stem Nut	CAC406
18.	Hand Wheel Nut	FCD450
19.	Hand Wheel	FCD450

Test Pressure(JIS B 2003)		
(Shell) Water	(Seat) Water	(Seat) Air
1.5MPa	1.1MPa	0.6MPa

Unit:mm

DN	φd	L	h	H (OPEN)	φW	FLANGE							WT(kg)
						φD	φC	T	φG	f	n	φh	
50	50	180	339	408	200	155	120	16	96	2	4	19	19
65	65	190	389	468	200	175	140	18	116	2	4	19	28
80	80	200	404	506	200	185	150	18	126	2	8	19	37
100	100	230	492	612	250	210	175	18	151	2	8	19	52
125	125	250	545	693	300	250	210	20	182	2	8	23	70
150	150	270	612	787	300	280	240	22	212	2	8	23	90
200	200	290	714	939	350	330	290	22	262	2	12	23	141
250	250	330	918	1195	400	400	355	24	324	2	12	25	227
300	300	350	1017	1350	450	445	400	24	368	3	16	25	292

DUCTILE IRON GATE VALVE(NON-RISING STEM)-JIS 2239 10K

(FIG.No.):NGTJ3R-DB

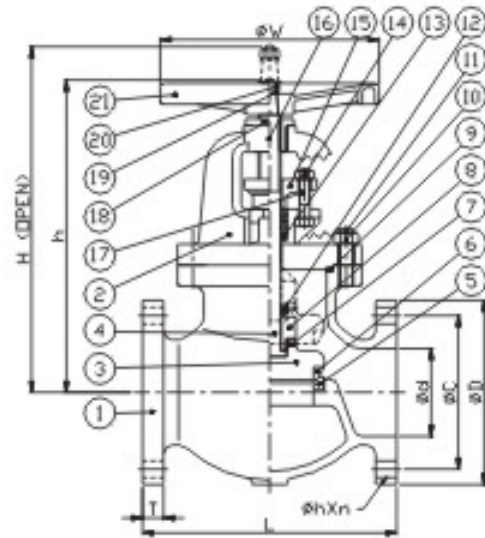
No.	Part Name	Materials
1.	Body	FCD450
2.	Bonnet	FCD450
3.	Stuffing Box	FCD450
4.	Disc	FCD450
5.	Stem	13%Cr.
6.	Body Seat	CAC406
7.	Disc Seat	CAC406
8.	Bonnet Bolt	SNB7
9.	Bonnet Nut	G4501-2H
10.	Gland Packing	Graphite
11.	Gland Plate	FCD450
12.	Gland Bolt	SNB7

No.	Part Name	Materials
13.	Gasket	Grafoli+Steel
14.	Hand Wheel	FCD450
15.	Hand Wheel Nut	SS400
16.	Stem Nut	CAC406
17.	Indicator Plate	SS400
18.	Indicator Nut	FCD450
19.	Indicator Plate Bolt	SS400

Test Pressure(JIS B 2003)		
(Shell) Water	(Seat) Water	(Seat) Air
1.5MPa	1.1MPa	0.6MPa

Unit:mm

DN	φd	L	H	φW	FLANGE							WT(kg)
					φD	φC	T	φG	f	n	φh	
50	50	180	270	200	155	120	16	96	2	4	19	21
65	65	190	304	200	175	140	18	116	2	4	19	26
80	80	200	340	200	185	150	18	126	2	8	19	33
100	100	230	427	250	210	175	18	151	2	8	19	50
125	125	250	460	300	250	210	20	182	2	8	23	70
150	150	270	493	300	280	240	22	212	2	8	23	88
200	200	290	607	350	330	290	22	262	2	12	23	127
250	250	330	714	400	400	355	24	324	2	12	25	198
300	300	350	789	450	445	400	24	368	3	16	25	275

CAST IRON GLOBE VALVE-JIS 2239 10K

(FIG.No.):GLJIF-CB

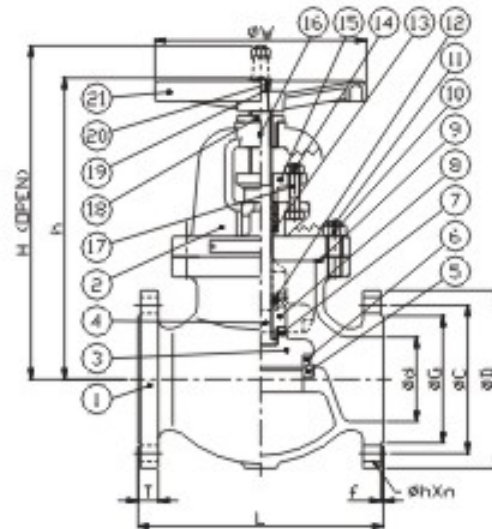
No.	Part Name	Materials
1.	Body	FC200
2.	Bonnet	FC200
3.	Disc	FC200
4.	Stem	13%Cr.
5.	Body Seat	CAC406
6.	Disc Seat	CAC406
7.	Set Bolt	SS400
8.	Disc Nut	Ss400
9.	Gasket	Grafol+Steel
10.	Bonnet Nut	G4501-2H
11.	Bonnet Bolt	SNB7
12.	Backseat	CAC406
13.	Gland Packing	Graphite

No.	Part Name	Materials
14.	Gland Nut	G4501-2H
15.	Gland Plate	FC200
16.	Set Bolt	SS400
17.	Gland Bolt	SNB7
18.	Stem Nut	CAC406
19.	Washer	SS400
20.	Hand Wheel Nut	SS400
21.	Hand Wheel	FCD450

Test Pressure(JIS B 2003)		
(Shell) Water	(Seat) Water	(Seat) Air
1.5MPa	1.1MPa	0.6MPa

Unit:mm

DN	φd	L	h	H (OPEN)	φW	FLANGE					WT(kg)
						φD	φC	T	n	φh	
40	40	190	255	272	150	155	120	20	4	19	15
50	50	200	267	287	200	155	120	20	4	19	19
65	65	220	289	315	200	175	140	22	4	19	26
80	80	240	324	354	250	185	150	22	8	19	32
100	100	290	356	394	250	210	175	24	8	19	44
125	125	360	417	463	300	250	210	24	8	23	70
150	150	410	461	519	350	280	240	26	8	23	93
200	200	500	553	627	450	330	290	26	12	23	165
250	250	622	668	765	550	400	355	30	12	25	267
300	300	698	766	882	650	445	400	32	16	25	436
350	350	787	777	913	700	490	445	34	16	25	510

DUCTILE IRON GLOBE VALVE-JIS 2239 10K

(FIG.No.):GLJ3R-DB

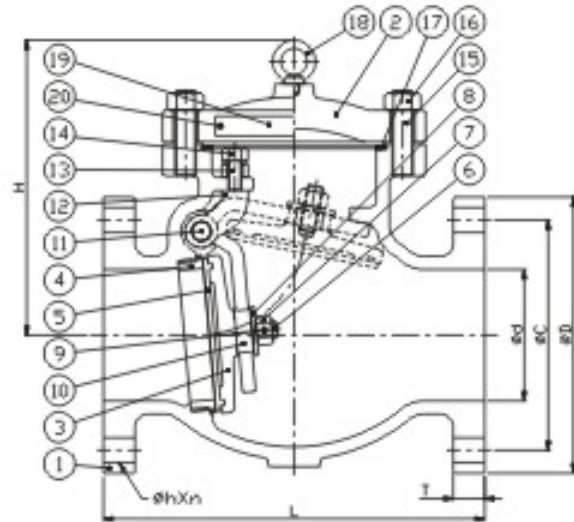
No.	Part Name	Materials
1.	Body	FCD450
2.	Bonnet	FCD450
3.	Disc	FCD450
4.	Stem	13%Cr.
5.	Body Seat	CAC406
6.	Disc Seat	CAC406
7.	Set Bolt	SS400
8.	Disc Nut	SS400
9.	Gasket	Grafoll+Steel
10.	Bonnet Nut	G4501-2H
11.	Bonnet Bolt	SNB7
12.	Backseat	CAC406
13.	Gland Packing	Graphite

No.	Part Name	Materials
14.	Gland Nut	G4501-2H
15.	Gland Plate	FCD450
16.	Set Bolt	SS400
17.	Gland Bolt	SNB7
18.	Stem Nut	CAC406
19.	Washer	SS400
20.	Hand Wheel Nut	SS400
21.	Hand Wheel	FCD450

Test Pressure(JIS B 2003)		
(Shell) Water	(Seat) Water	(Seat) Air
1.5MPa	1.1MPa	0.6MPa

Unit:mm

DN	φd	L	h	H (OPEN)	φW	FLANGE						WT(kg)	
						φD	φC	T	φG	f	n		φh
40	40	190	255	272	150	155	120	16	81	2	19	19	15
50	50	200	267	287	200	155	120	16	96	2	19	19	19
65	65	220	289	315	200	175	140	18	116	2	19	19	26
80	80	240	324	354	250	185	150	18	126	2	19	19	32
100	100	290	356	394	250	210	175	18	151	2	19	19	44
125	125	360	417	463	300	250	210	20	182	2	23	23	70
150	150	410	461	519	350	280	240	22	212	2	23	23	93
200	200	500	553	627	450	330	290	22	262	2	23	23	165
250	250	622	668	765	550	400	355	24	324	2	12	25	267
300	300	698	766	882	650	445	400	24	368	3	16	25	436
350	350	787	777	913	700	490	445	26	413	3	16	25	510

CAST IRON SWING CHECK VALVE-JIS 2239 10K

(FIG.No.):SCJIF-CB

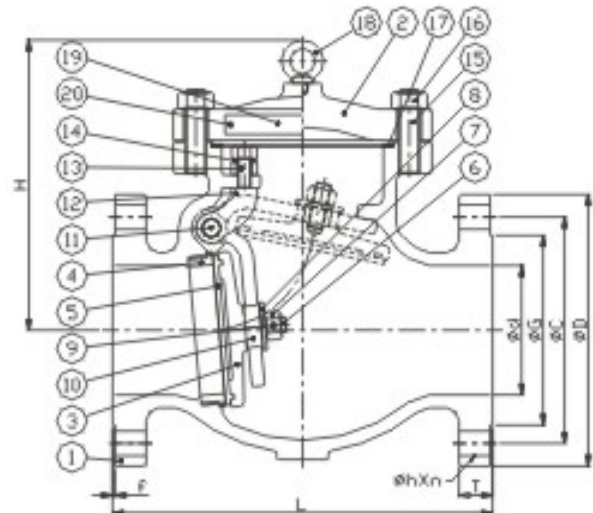
No.	Part Name	Materials
1.	Body	FC200
2.	Bonnet	FC200
3.	Disc	FC200
4.	Body Seat	CAC406
5.	Disc Seat	CAC406
6.	Disc Bolt	SS400
7.	Disc Nut	SS400
8.	Disc Washer	SS400
9.	Split Pin	S25C
10.	Swing Arm	SCPH2
11.	Hige Pin	13%Cr.
12.	Swing Arm Sustain	SCPH2
13.	Sustain Bolt	SS400

No.	Part Name	Materials
14.	Sustain Washer	SS400
15.	Cover Bolt	SNB7
16.	Cover Nut	G4501-2H
17.	Gasket	Grafol+Steel
18.	Eye Bolt	SS400
19.	Name Plate	SUS304
20.	Name Plate Rivet	SUS304

Test Pressure(JIS B 2003)		
(Shell) Water	(Seat) Water	(Seat) Air
1.5MPa	1.1MPa	0.6MPa

Unit:mm

DN	φd	L	H	FLANGE					WT(kg)
				φD	φC	T	n	φh	
50	50	200	174	155	120	20	4	19	14
65	65	220	192	175	140	22	4	19	19
80	80	240	212	185	150	22	8	19	22
100	100	290	232	210	175	24	8	19	30
125	125	360	267	250	210	24	8	23	50
150	150	410	320	280	240	26	8	23	70
200	200	500	354	330	290	26	12	23	117
250	250	622	397	400	355	30	12	25	187
300	300	698	486	445	400	32	16	25	259

DUCTILE IRON SWING CHECK VALVE-JIS 2239 10K

(FIG.No.):SCJ3R-DB

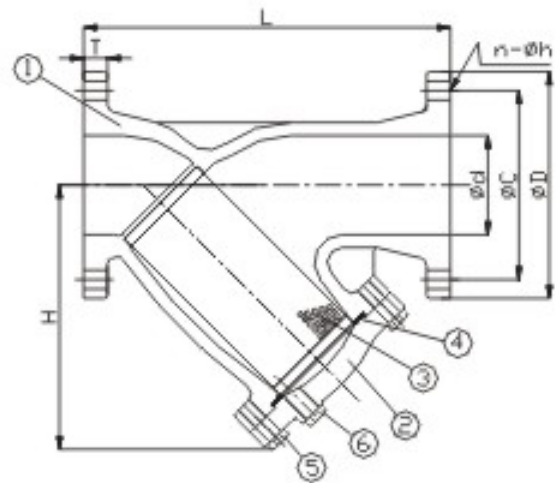
No.	Part Name	Materials
1.	Body	FCD450
2.	Bonnet	FCD40
3.	Disc	FCD450
4.	Body Seat	CAC406
5.	Disc Seat	CAC406
6.	Disc Bolt	SS400
7.	Disc Nut	SS400
8.	Disc Washer	SS400
9.	Split Pin	S25C
10.	Swing Arm	SCPH2
11.	Hige Pin	13%Cr.
12.	Swing Arm Sustain	SCPH2
13.	Sustain Bolt	SS400

No.	Part Name	Materials
14.	Sustain Washer	SS400
15.	Cover Bolt	SNB7
16.	Cover Nut	G4501-2H
17.	Gasket	Grafoll+Steel
18.	Eye Bolt	SS400
19.	Name Plate	SUS304
20.	Name Plate Rivet	SUS304

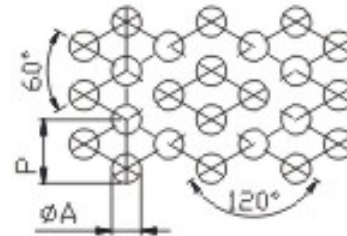
Test Pressure(JIS B 2003)		
(Shell) Water	(Seat) Water	(Seat) Air
1.5MPa	1.1MPa	0.6MPa

Unit:mm

DN	φd	L	H	FLANGE						WT(kg)
				φD	φC	T	φG	f	φh	
50	50	200	174	155	120	18	98	2	19	14
65	65	220	192	175	140	18	116	2	19	19
80	80	240	212	185	150	18	126	2	19	22
100	100	290	232	210	175	18	151	2	19	30
125	125	360	267	250	210	20	182	2	23	50
150	150	410	320	280	240	22	212	2	23	70
200	200	500	354	330	290	22	262	2	23	117
250	250	622	397	400	355	24	324	2	25	187
300	300	698	486	445	400	24	368	3	25	259

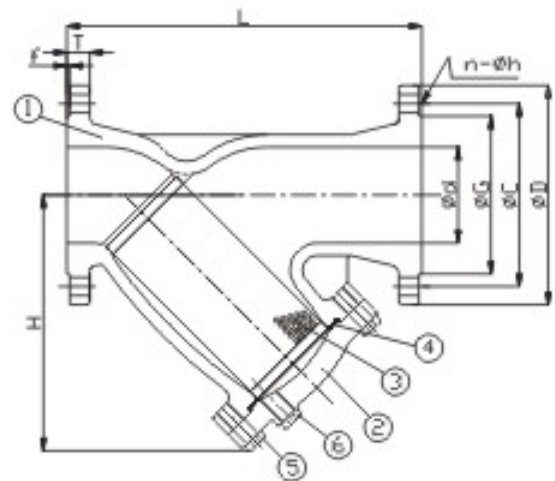
CAST IRON Y-STRAINER-JIS 2239 10K

(FIG.No.):YSJIF-CS3

No.	Parte Name	Materials
1.	Body	FC200
2.	Cover	FC200
3.	Screen	S.S304
4.	Gasket	Grafoll+Steel
5.	Cover Bolt	SS400
6.	Plug	S25C

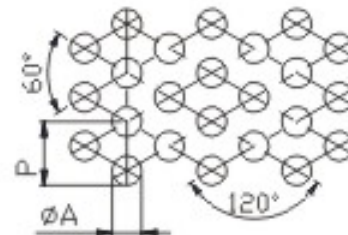

**JIS B2003
Test Pressure(Water)**
1.5MPa

Unit:mm

DN	φd	L	H	FLANGE					SCREEN		WT(kg)
				φD	φC	T	n	φh	P	φA	
50	50	250	167	155	120	16	4	19	2.5	1.5	14
65	65	285	193	175	140	18	4	19	2.5	1.5	18
80	80	315	210	185	150	18	8	19	2.5	1.5	23
100	100	370	256	210	175	18	8	19	2.5	1.5	37
125	125	450	318	250	210	20	8	23	2.5	1.5	56
150	150	510	364	280	240	22	8	23	2.5	1.5	80
200	200	600	507	330	290	22	12	23	2.5	1.5	126
250	250	740	600	400	355	24	12	25	3	2	216
300	300	850	673	445	400	24	16	25	3	2	271

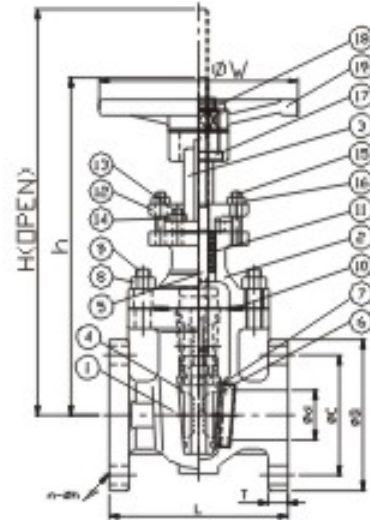
DUCTILE IRON Y-STRAINER-JIS 2239 10K

(FIG.No.):YSJIF-CS3

No.	Part Name	Materials
1.	Body	FCD450
2.	Cover	FCD450
3.	Screen	S.S304
4.	Gasket	Grafoll+Steel
5.	Cover Bolt	SS400
6.	Plug	S25C


**JIS B2003
Test Pressure(Water)**
1.5MPa

Unit:mm

DN	φd	L	H	FLANGE							SCREEN		WT(kg)
				φD	φC	T	φG	f	n	φh	P	φA	
50	50	250	167	155	120	20	96	2	4	19	2.5	1.5	14
65	65	285	193	175	140	22	116	2	4	19	2.5	1.5	18
80	80	315	210	185	150	22	126	2	8	19	2.5	1.5	23
100	100	370	256	210	175	24	151	2	8	19	2.5	1.5	37
125	125	450	318	250	210	24	182	2	8	23	2.5	1.5	56
150	150	510	364	280	240	26	212	2	8	23	2.5	1.5	80
200	200	600	507	330	290	26	262	2	12	23	2.5	1.5	126
250	250	740	600	400	355	30	324	2	12	25	3	2	216
300	300	850	673	445	400	32	368	3	16	25	3	2	271

CAST IRON GATE VALVE(RISING STEM)-ANSI B16.1 CLASS 125

(FIG.No.):GTAIF-CB

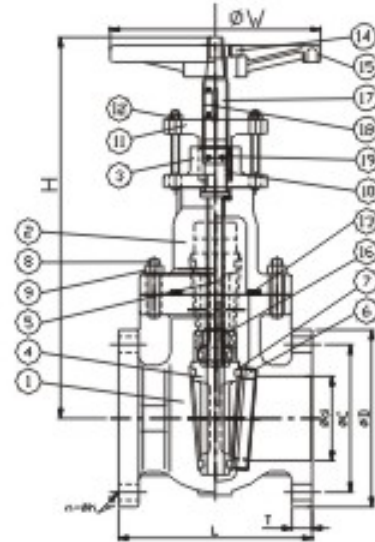
No.	Part Name	Materials
1.	Body	A 126 CL.B
2.	Bonnet	A 126 CL.B
3.	Yoke	A 126 CL.B
4.	Disc	A 126 CL.B
5.	Stem	13%Cr.
6.	Body Seat	B584C83600
7.	Disc Seat	B584C83600
8.	Bonnet Bolt	A307
9.	Bonnet Nut	A307
10.	Gasket	Grafol+Steel
11.	Gland Packing	Graphite
12.	Gland Plate	A 126 CL.B

No.	Part Name	Materials
13.	Yoke Bolt	A307
14.	Yoke Nut	A307
15.	Gland Bolt	A307
16.	Gland Nut	A307
17.	Stem Nut	B584C83600
18.	Hand Wheel Nut	A536 65-45-12
19.	Hand Wheel	A536 65-45-12

Test Pressure(API 598)		
(Shell) Water	(Seat) Water	(Seat) Air
2.5MPa	1.4MPa	0.6MPa

NPS	φd	L	h	H (OPEN)	φW	FLANGE					WT(kg)
						φD	φC	T	n	φh	
2"	51	178	339	408	200	150	121	15.9	4	19.1	19
2 1/2"	64	191	389	468	200	180	140	17.5	4	19.1	28
3"	76	203	404	506	200	190	152	19.0	4	19.1	37
4"	102	229	492	612	250	230	191	23.8	8	19.1	52
5"	127	254	545	693	300	255	216	23.8	8	22.2	70
6"	152	267	612	787	300	280	241	25.4	8	22.2	90
8"	203	292	714	939	350	345	299	28.6	8	22.2	141
10"	254	330	918	1195	400	405	362	30.2	12	25.4	227
12"	305	356	1017	1350	450	485	432	31.8	12	25.4	292

Unit:mm

CAST IRON GATE VALVE(NON-RISING STEM)-ANSI B16.1 CLASS 125

(FIG.No.):NGTAIF-CB

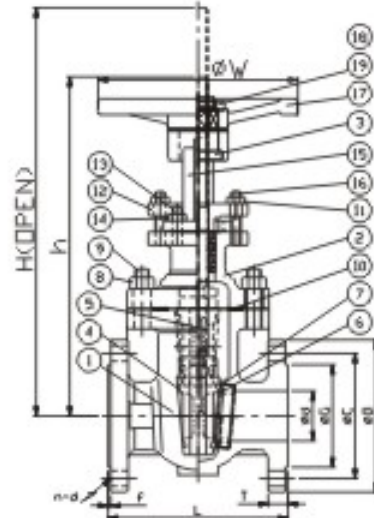
No.	Part Name	Materials
1.	Body	A 126 CL.B
2.	Bonnet	A 126 CL.B
3.	Stuffing Box	A 126 CL.B
4.	Disc	A 126 CL.B
5.	Stem	13%Cr.
6.	Body Seat	B584C83600
7.	Disc Seat	B584C83600
8.	Bonnet Bolt	A307
9.	Bonnet Nut	A307
10.	Gland Packing	Graphite
11.	Gland Plate	A 126 CL.B
12.	Gland Bolt	A307

No.	Part Name	Materials
13.	Gasket	Grafol+Steel
14.	Hand Wheel	A536 65-45-12
15.	Hand Wheel Nut	A307
16.	Stem Nut	B584C83600
17.	Indicator Plate	Steel
18.	Indicator Nut	A536 65-45-12
19.	Indicator Plate Bolt	A307

Test Pressure(API 598)		
(Shell) Water	(Seat) Water	(Seat) Air
2.5MPa	1.4MPa	0.6MPa

Unit:mm

NPS	φd	L	H	φW	FLANGE					WT(kg)
					φD	φC	T	n	φh	
2"	51	178	270	200	150	121	15.9	4	19.1	21
2 1/2"	64	191	304	200	180	140	17.5	4	19.1	26
3"	76	203	340	200	190	152	19.0	4	19.1	33
4"	102	229	427	250	230	191	23.8	8	19.1	50
5"	127	254	460	300	255	216	23.8	8	22.2	70
6"	152	267	493	300	280	241	25.4	8	22.2	88
8"	203	292	607	350	345	299	28.6	8	22.2	127
10"	254	330	714	400	405	362	30.2	12	25.4	198
12"	305	356	789	450	485	432	31.8	12	25.4	275

DUCTILE IRON GATE VALVE(RISING STEM)-ANSI B16.42 CLASS 150

(FIG.No.):GTA3R-DB

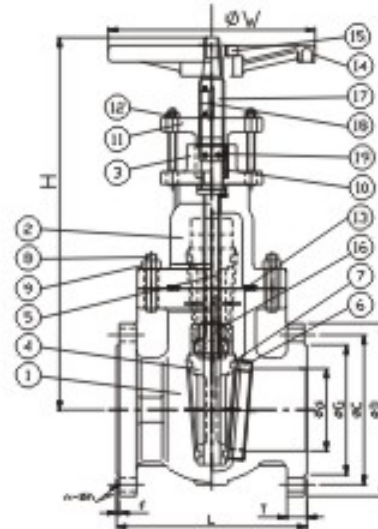
No.	Part Name	Materials
1.	Body	A536 65-45-12
2.	Bonnet	A536 65-45-12
3.	Yoke	A536 65-45-12
4.	Disc	A536 65-45-12
5.	Stem	13%Cr.
6.	Body Seat	B584C83600
7.	Disc Seat	B584C83600
8.	Bonnet Bolt	A193 B7
9.	Bonnet Nut	A194 2H
10.	Gasket	Graphite
11.	Gland Packing	Grafol+Steel
12.	Gland Plate	A536 65-45-12

No.	Part Name	Materials
13.	Yoke Bolt	A307
14.	Yoke Nut	A307
15.	Gland Bolt	A307
16.	Gland Nut	A307
17.	Stem Nut	B584C83600
18.	Hand Wheel Nut	A536 65-45-12
19.	Hand Wheel	A536 65-45-12

Test Pressure(API 598)		
(Shell) Water	(Seat) Water	(Seat) Air
3.0MPa	1.8MPa	0.6MPa

Unit:mm

NPS	φd	L	h	H (OPEN)	φW	FLANGE							WT(kg)
						φD	φC	T	φG	f	n	φh	
2"	51	178	339	408	200	150	120.7	19.1	92.1	2	4	19.1	19
2 1/2"	64	191	389	468	200	180	139.7	22.4	104.8	2	4	19.1	28
3"	76	203	404	506	200	190	152.4	23.9	127.0	2	4	19.1	37
4"	102	229	492	612	250	230	190.5	23.9	157.2	2	8	19.1	52
5"	127	254	545	693	300	255	215.9	23.9	185.7	2	8	22.2	70
6"	152	267	612	787	300	280	241.3	25.4	215.9	2	8	22.2	90
8"	203	292	714	939	350	345	298.5	28.5	269.9	2	8	22.2	141
10"	254	330	918	1195	400	405	362.0	30.2	323.3	2	12	25.4	227
12"	305	356	1017	1350	450	485	431.8	31.8	381.0	2	12	25.4	292

DUCTILE IRON GATE VALVE(NON-RISING STEM)-ANSI B16.42 CLASS 150

(FIG.No.):NGTA3R-DB

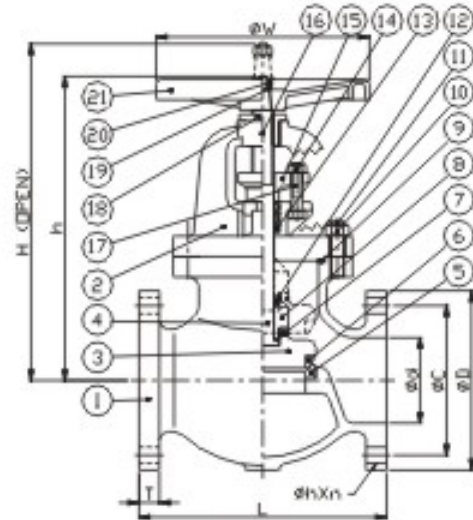
No.	Part Name	Materials
1.	Body	A536 65-45-12
2.	Bonnet	A536 65-45-12
3.	Stuffing Box	A536 65-45-12
4.	Disc	A536 65-45-12
5.	Stem	13%Cr.
6.	Body Seat	B584C83600
7.	Disc Seat	B584C83600
8.	Bonnet Bolt	A307
9.	Bonnet Nut	A307
10.	Gland Packing	Graphite
11.	Gland Plate	A536 65-45-12
12.	Gland Bolt	A307

No.	Part Name	Materials
13.	Gasket	Grafoli+Steel
14.	Hand Wheel	A536 65-45-12
15.	Hand Wheel Nut	A307
16.	Stem Nut	B584C83600
17.	Indicator Plate	Steel
18.	Indicator Nut	A536 65-45-12
19.	Indicator Plate Bolt	A307

Test Pressure(API 598)		
(Shell) Water	(Seat) Water	(Seat) Air
3.0MPa	1.8MPa	0.6MPa

Unit:mm

NPS	φd	L	H	φW	FLANGE							WT(kg)
					φD	φC	T	φG	f	n	φh	
2"	51	178	270	200	150	120.7	19.1	92.1	2	4	19.1	21
2 1/2"	64	191	304	200	180	139.7	22.4	104.8	2	4	19.1	26
3"	76	203	340	200	190	152.4	23.9	127.0	2	4	19.1	33
4"	102	229	427	250	230	190.5	23.9	157.2	2	8	19.1	50
5"	127	254	460	300	255	215.9	23.9	185.7	2	8	22.2	70
6"	152	267	493	300	280	241.3	25.4	215.9	2	8	22.2	88
8"	203	292	607	350	345	298.5	28.5	269.9	2	8	22.2	127
10"	254	330	714	400	405	362.0	30.2	323.8	2	12	25.4	198
12"	305	356	789	450	485	431.8	31.8	381.0	2	12	25.4	275

CAST IRON GLOBE VALVE-ANSI B16.1 CLASS 125

(FIG.No.):GLA1F-CB

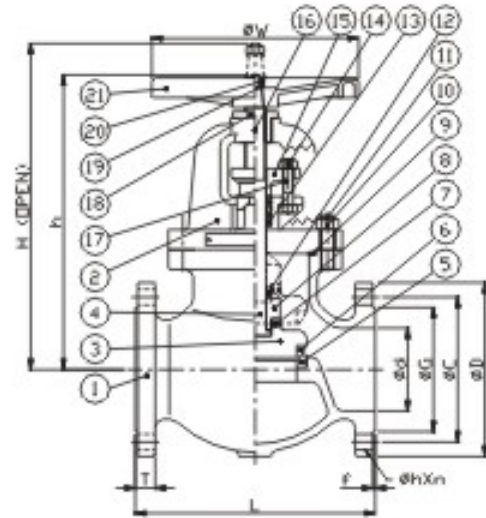
No.	Part Name	Materials
1.	Body	A 126 CL.B
2.	Bonnet	A 126 CL.B
3.	Disc	A 126 CL.B
4.	Stem	13%Cr.
5.	Body Seat	B584C83600
6.	Disc Seat	B584C83600
7.	Set Bolt	A307
8.	Disc Nut	A307
9.	Gasket	Grafol+Steel
10.	Bonnet Nut	A194 2H
11.	Bonnet Bolt	A193 B7
12.	Backseat	B584C83600
13.	Gland Packing	Graphite

No.	Part Name	Materials
14.	Gland Nut	A194 2H
15.	Gland Plate	A 126 CL.B
16.	Set Bolt	A307
17.	Gland Bolt	A193 B7
18.	Stem Nut	B584C83600
19.	Washer	Steel
20.	Hand Wheel Nut	A307
21.	Hand Wheel	A536 65-45-12

Test Pressure(API 598)		
(Shell) Water	(Seat) Water	(Seat) Air
2.5MPa	1.4MPa	0.6MPa

Unit:mm

NPS	φd	L	h	H (OPEN)	φW	FLANGE					WT(kg)
						φD	φC	T	n	φh	
2"	51	203	267	287	200	150	121	15.9	4	19.1	19
2 1/2"	64	216	289	315	200	180	140	17.5	4	19.1	28
3"	76	241	324	354	250	190	152	19.0	4	19.1	32
4"	102	292	356	394	250	230	191	23.8	8	19.1	44
5"	127	330	417	463	300	255	216	23.8	8	22.2	70
6"	152	356	461	519	350	280	241	25.4	8	22.2	93
8"	203	495	553	627	450	345	299	28.6	8	22.2	125
10"	254	622	668	765	550	405	362	30.2	12	25.4	267
12"	305	698	766	882	650	485	432	31.8	12	25.4	436
14"	356	787	777	913	700	535	476	32.4	12	28.4	510

DUCTILE IRON GLOBE VALVE-ANSI B16.42 CLASS 150

(FIG.No.):GLA3F-DB

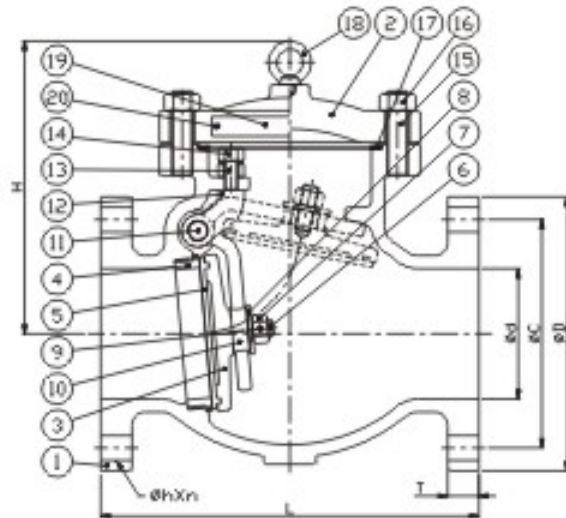
No.	Part Name	Materials
1.	Body	A536 65-45-12
2.	Bonnet	A536 65-45-12
3.	Disc	A536 65-45-12
4.	Stem	13%Cr.
5.	Body Seat	B584C83600
6.	Disc Seat	B584C83600
7.	Set Bolt	A307
8.	Disc Nut	A307
9.	Gasket	Grafol+Steel
10.	Bonnet Nut	A194 2H
11.	Bonnet Bolt	A193 B7
12.	Backseat	B584C83600
13.	Gland Packing	Graphite

No.	Part Name	Materials
14.	Gland Nut	A194 2H
15.	Gland Plate	A 536 65-45-12
16.	Set Bolt	A307
17.	Gland Bolt	A193 B7
18.	Stem Nut	B584C83600
19.	Washer	Steel
20.	Hand Wheel Nut	A307
21.	Hand Wheel	A536 65-45-12

Test Pressure(API 598)		
(Shell) Water	(Seat) Water	(Seat) Air
3.0MPa	1.8MPa	0.6MPa

Unit:mm

NPS	φd	L	h	H (OPEN)	φW	FLANGE							WT(kg)
						φD	φC	T	φG	f	n	φh	
2"	51	203	267	287	200	150	120.7	19.1	92.1	2	4	19.1	19
2 1/2"	64	216	289	315	200	180	139.7	22.4	104.8	2	4	19.1	26
3"	76	241	324	354	250	190	152.4	23.9	127.0	2	4	19.1	32
4"	102	292	356	394	250	230	190.5	23.9	157.2	2	8	19.1	44
5"	127	330	417	463	300	255	215.9	23.9	185.7	2	8	22.2	70
6"	152	356	461	519	350	280	241.3	25.4	215.9	2	8	22.2	93
8"	203	495	553	627	450	345	298.5	28.5	269.9	2	8	22.2	125
10"	254	622	668	765	550	405	362.0	30.2	323.8	2	12	25.4	267
12"	305	698	766	882	650	485	431.8	31.8	381.0	2	12	25.4	436
14"	356	787	777	913	700	535	476.3	35.1	412.8	2	12	28.7	510

CAST IRON SWING CHECK VALVE-ANSI B16.1 CLASS 125

(FIG.No.):SCA11F-CB

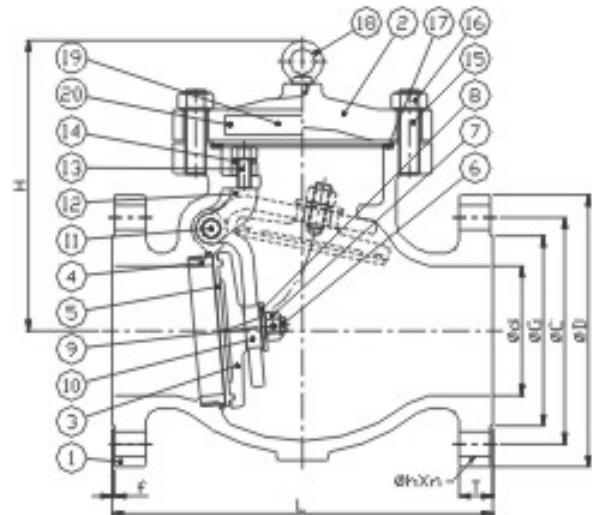
No.	Part Name	Materials
1.	Body	A 126 CL.B
2.	Bonnet	A 126 CL.B
3.	Disc	A 126 CL.B
4.	Body Seat	B584C83600
5.	Disc Seat	B584C83600
6.	Disc Bolt	A307
7.	Disc Nut	A307
8.	Disc Washer	Steel
9.	Split Pin	A307
10.	Swing Arm	WCB
11.	Hige Pin	13%Cr.
12.	Swing Arm Sustain	WCB

No.	Part Name	Materials
13.	Sustain Bolt	A307
14.	Sustain Washer	Steel
15.	Cover Bolt	A193 B7
16.	Cover Nut	A194 2H
17.	Gasket	Grafoil+Steel
18.	Eye Bolt	A307

Test Pressure(API 598)		
(Shell) Water	(Seat) Water	(Seat) Air
2.5MPa	1.4MPa	0.6MPa

Unit:mm

NPS	φd	L	H	FLANGE					WT(kg)
				φD	φC	T	n	φh	
2"	51	203	174	150	121	15.9	4	19.1	14
2 1/2"	64	216	192	180	140	17.5	4	19.1	19
3"	76	241	212	190	152	19.0	4	19.1	22
4"	102	292	232	230	191	23.8	8	19.1	30
5"	127	330	267	255	216	23.8	8	22.2	50
6"	152	356	320	280	241	25.4	8	22.2	70
8"	203	495	354	345	299	28.6	8	22.2	117
10"	254	622	397	405	362	30.2	12	25.4	187
12"	305	698	486	485	432	31.8	12	25.4	259

DUCTILE IRON SWING CHECK VALVE-ANSI B16.42 CLASS 150

(FIG.No.):SCA3R-DB

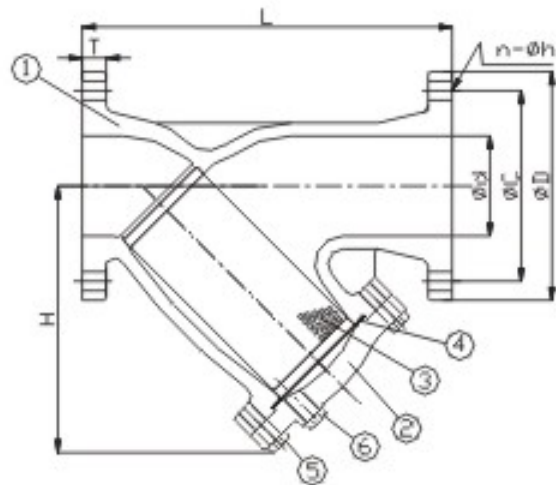
No.	Part Name	Materials
1.	Body	A536 65-45-12
2.	Bonnet	A536 65-45-12
3.	Disc	A536 65-45-12
4.	Body Seat	B584C83600
5.	Disc Seat	B584C83600
6.	Disc Bolt	A307
7.	Disc Nut	A307
8.	Disc Washer	Steel
9.	Split Pin	Steel
10.	Swing Arm	WCB
11.	Hige Pin	13%Cr.
12.	Swing Arm Sustain	WCB

No.	Part Name	Materials
13.	Sustain Bolt	A307
14.	Sustain Washer	Steel
15.	Cover Bolt	A193 B7
16.	Cover Nut	A194 2H
17.	Gasket	Grafoil+Steel
18.	Eye Bolt	A307

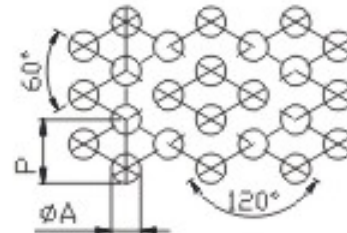
Test Pressure(API 598)		
(Shell) Water	(Seat) Water	(Seat) Air
3.0MPa	1.8MPa	0.6MPa

Unit:mm

NPS	φd	L	H	FLANGE							WT(kg)
				φD	φC	T	φG	f	n	φh	
2"	51	203	174	150	120.7	19.1	92.1	2	4	19.1	14
2 1/2"	64	216	192	180	139.7	22.4	104.8	2	4	19.1	19
3"	76	241	212	190	152.4	23.9	127.0	2	4	19.1	22
4"	102	292	232	230	190.5	23.9	157.2	2	8	19.1	30
5"	127	330	267	255	215.9	23.9	185.7	2	8	22.2	50
6"	152	356	320	280	241.3	25.4	215.9	2	8	22.2	70
8"	203	495	354	345	298.5	28.5	269.9	2	8	22.2	117
10"	245	622	397	405	362.0	30.2	323.8	2	12	25.4	187
12"	305	698	488	485	431.8	31.8	381.0	2	12	25.4	259

CAST IRON Y-STRAINER-ANSI B16.1 CLASS 125

(FIG.No.):YSA1F-CS3

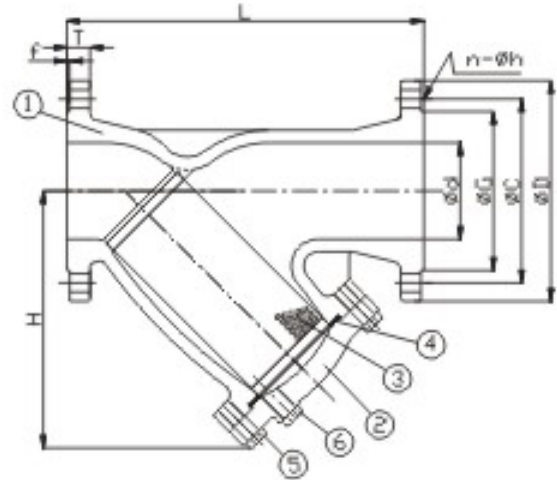
No.	Part Name	Materials
1.	Body	A 126 CL.B
2.	Cover	A 126 CL.B
3.	Screen	S.S304
4.	Gasket	Grafoll+Steel
5.	Cover Bolt	A193 B7
6.	Plug	A307



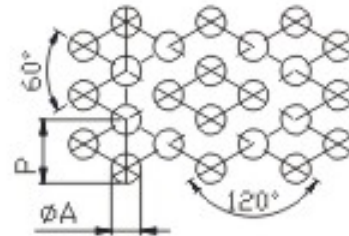
API 598 Test Pressure(Water)	2.5MPa
---	---------------

Unit:mm

DN	φd	L	H	FLANGE					SCREEN		WT(kg)
				φD	φC	T	n	φh	P	φA	
50	50	250	167	150	121	15.9	4	19.1	2.5	1.5	14
65	65	285	193	180	140	17.5	4	19.1	2.5	1.5	18
80	80	315	210	190	152	19.0	4	19.1	2.5	1.5	23
100	100	370	256	230	191	23.8	8	19.1	2.5	1.5	37
125	125	450	318	255	216	23.8	8	22.2	2.5	1.5	56
150	150	510	364	280	241	25.4	8	22.2	2.5	1.5	80
200	200	600	507	345	299	28.6	8	22.2	2.5	1.5	126
250	250	740	600	405	362	30.2	12	25.4	3	2	216
300	300	850	673	485	432	31.8	12	25.4	3	2	271

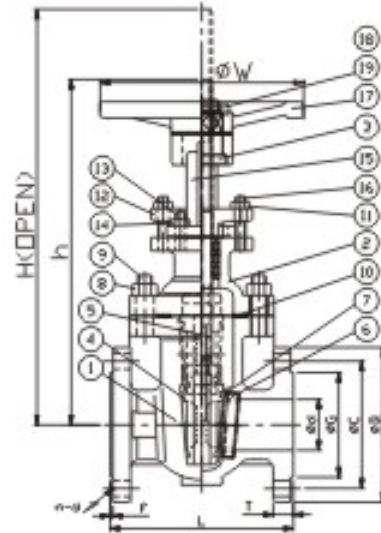
DUCTILE IRON Y-STRAINER-ANSI B16.42 CLASS 150

(FIG.No.):YSA3R-DS3

No.	Part Name	Materials
1.	Body	A536 65-45-12
2.	Cover	A536 65-45-12
3.	Screen	3.S304
4.	Gasket	Grafoll+Steel
5.	Cover Bolt	A193 B7
6.	Plug	A307


**API 598
Test Pressure(Water)**
3.0MPa

Unit:mm

DN	φd	L	H	FLANGE							SCREEN		WT(kg)
				φD	φC	T	φG	f	n	φh	P	φA	
50	50	250	167	150	120.7	19.1	92.1	2	4	19.1	2.5	1.5	14
65	65	285	193	180	139.7	22.4	104.8	2	4	19.1	2.5	1.5	18
80	80	315	210	190	152.4	23.9	127.0	2	4	19.1	2.5	1.5	23
100	100	370	256	230	190.5	23.9	157.2	2	8	19.1	2.5	1.5	37
125	125	450	318	255	215.9	23.9	185.7	2	8	22.2	2.5	1.5	56
150	150	510	364	280	241.3	25.4	215.9	2	8	22.2	2.5	1.5	80
200	200	600	507	345	298.5	28.5	269.9	2	8	22.2	2.5	1.5	126
250	250	740	600	405	362.0	30.2	323.8	2	12	25.4	3	2	216
300	300	850	673	485	431.8	31.8	381.0	2	12	25.4	3	2	271

CAST IRON GATE VALVE(RISING STEM)-BS 4504 PN10

(FIG.No.):GT0R-CB

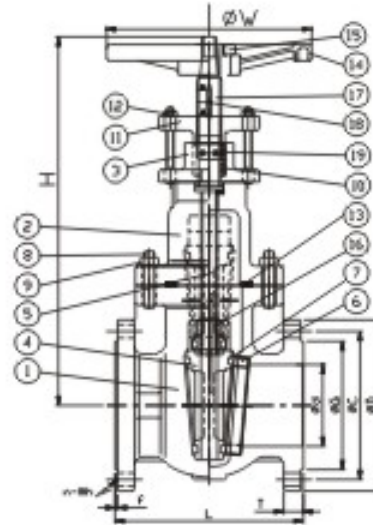
No.	Part Name	Materials
1.	Body	BS 1452-220
2.	Bonnet	BS 1452-220
3.	Yoke	BS 1452-220
4.	Disc	BS 1452-220
5.	Stem	13%Cr.
6.	Body Seat	1400-LG2
7.	Disc Seat	1400-LG2
8.	Bonnet Bolt	BS 5708
9.	Bonnet Nut	BS 5708
10.	Gasket	Grafol+Steel
11.	Gland Packing	Graphite
12.	Gland Plate	BS 1452-220

No.	Part Name	Materials
13.	Yoke Bolt	BS 5708
14.	Yoke Nut	BS 5708
15.	Gland Bolt	BS 5708
16.	Gland Nut	BS 5708
17.	Stem Nut	1400-LG2
18.	Hand Wheel Nut	BS2789-450/10
19.	Hand Wheel	BS2789-450/10

Test Pressure(ISO 5208)		
(Shell) Water	(Seat) Water	(Seat) Air
1.5MPa	1.1MPa	0.6MPa

DN	φd	L	h	H (OPEN)	φW	FLANGE							WT(kg)
						φD	φC	T	φG	f	n	φh	
50	50	178	339	408	200	165	125	20	102	3	4	18	19
65	65	190	389	468	200	185	145	20	122	3	4	18	28
80	80	203	404	506	200	200	160	22	138	3	8	18	37
100	100	229	492	612	250	220	180	24	158	3	8	18	52
125	125	254	545	698	300	250	210	26	188	3	8	18	70
150	150	267	612	787	300	285	240	26	212	3	8	22	90
200	200	292	714	939	350	340	295	26	268	3	8	22	141
250	250	330	918	1195	400	395	350	28	320	3	12	22	227
300	300	356	1017	1350	450	445	400	28	370	3	12	22	292

Unit:mm

CAST IRON GATE VALVE(NON-RISING STEM)-BS 4504 PN10

(FIG.No.):NGTS0R-CB

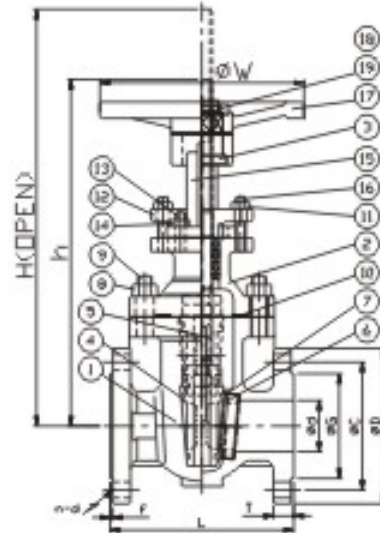
No.	Part Name	Materials
1.	Body	BS 1452-220
2.	Bonnet	BS 1452-220
3.	Stuffing Box	BS 1452-220
4.	Disc	BS 1452-220
5.	Stem	13%Cr.
6.	Body Seat	1400-LG2
7.	Disc Seat	1400-LG2
8.	Bonnet Bolt	BS 5708
9.	Bonnet Nut	BS 5708
10.	Gland Packing	Graphite
11.	Gland Plate	BS 1452-220
12.	Gland Bolt	BS 5708

No.	Part Name	Materials
13.	Gasket	Grafolli+Steel
14.	Hand Wheel	BS2789-450/10
15.	Hand Wheel Nut	BS 5708
16.	Stem Nut	1400-LG2
17.	Indicator Plate	Steel
18.	Indicator Nut	BS2789-450/10
19.	Indicator Plate Bolt	BS 5708

Test Pressure(ISO 5208)		
(Shell) Water	(Seat) Water	(Seat) Air
1.5MPa	1.1MPa	0.6MPa

Unit:mm

DN	φd	L	H	φW	FLANGE							WT(kg)
					φD	φC	T	φG	f	n	φh	
50	50	178	270	200	165	125	20	102	3	4	18	21
65	65	190	304	200	185	145	20	122	3	4	18	26
80	80	203	340	200	200	160	22	138	3	8	18	33
100	100	229	427	250	220	180	24	158	3	8	18	50
125	125	254	460	300	250	210	26	188	3	8	18	70
150	150	267	493	300	285	240	26	212	3	8	22	88
200	200	292	607	350	340	295	26	268	3	8	22	127
250	250	330	714	400	395	350	28	320	3	12	22	198
300	300	358	789	450	445	400	28	370	3	12	22	275

CAST IRON GATE VALVE(RISING STEM)-BS 4504 PN16

(FIG.No.):GT1R-CB

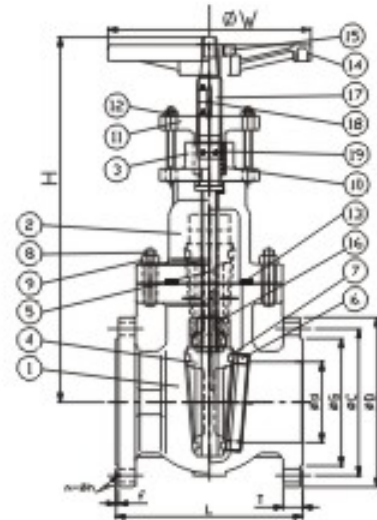
No.	Part Name	Materials
1.	Body	BS 1452-220
2.	Bonnet	BS 1452-220
3.	Yoke	BS 1452-220
4.	Disc	BS 1452-220
5.	Stem	13%Cr.
6.	Body Seat	1400-LG2
7.	Disc Seat	1400-LG2
8.	Bonnet Bolt	BS 5708
9.	Bonnet Nut	BS 5708
10.	Gasket	Grafoll+Steel
11.	Gland Packing	Graphite
12.	Gland Plate	BS 1452-220

No.	Part Name	Materials
13.	Yoke Bolt	BS 5708
14.	Yoke Nut	BS 5708
15.	Gland Bolt	BS 5708
16.	Gland Nut	BS 5708
17.	Stem Nut	1400-LG2
18.	Hand Wheel Nut	BS2789-450/10
19.	Hand Wheel	BS2789-450/10

Test Pressure(ISO 5208)		
(Shell) Water	(Seat) Water	(Seat) Air
2.4MPa	1.76MPa	0.6MPa

DN	φd	L	h	H (OPEN)	φW	FLANGE							WT(kg)
						φD	φC	T	φG	f	n	φh	
50	50	178	339	408	200	165	125	20	102	3	4	18	19
65	65	190	389	468	200	185	145	20	122	3	4	18	28
80	80	203	404	506	200	200	160	22	138	3	8	18	37
100	100	229	492	612	250	220	180	24	158	3	8	18	52
125	125	254	545	693	300	250	210	26	188	3	8	18	70
150	150	267	612	787	300	285	240	26	212	3	8	22	90
200	200	292	714	939	350	340	295	30	268	3	8	22	141
250	250	330	918	1195	400	405	355	32	320	3	12	26	227
300	300	356	1017	1350	450	460	410	32	378	4	12	26	292

Unit:mm

CAST IRON GATE VALVE(NON-RISING STEM)-BS 4504 PN16

(FIG.No.):NGTS1R-CB

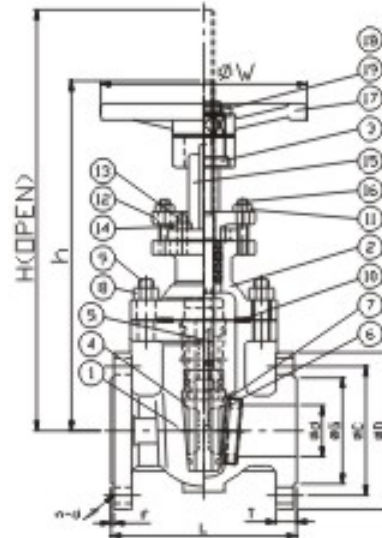
No.	Part Name	Materials
1.	Body	BS 1452-220
2.	Bonnet	BS 1452-220
3.	Stuffing Box	BS 1452-220
4.	Disc	BS 1452-220
5.	Stem	13%Cr.
6.	Body Seat	1400-LG2
7.	Disc Seat	1400-LG2
8.	Bonnet Bolt	BS 5708
9.	Bonnet Nut	BS 5708
10.	Gland Packing	Graphite
11.	Gland Plate	Gr.200
12.	Gland Bolt	BS 5708

No.	Part Name	Materials
13.	Gasket	Grafolli+Steel
14.	Hand Wheel	BS2789-450/10
15.	Hand Wheel Nut	BS 5708
16.	Stem Nut	1400-LG2
17.	Indicator Plate	Steel
18.	Indicator Nut	BS2789-450/10
19.	Indicator Plate Bolt	BS 5708

Test Pressure(ISO 5208)		
(Shell) Water	(Seat) Water	(Seat) Air
2.4MPa	1.76MPa	0.6MPa

Unit:mm

DN	φd	L	H	φW	FLANGE							WT(kg)
					φD	φC	T	φG	f	n	φh	
50	50	178	270	200	165	125	20	102	3	4	18	21
65	65	190	304	200	185	145	20	122	3	4	18	26
80	80	203	340	200	200	160	22	138	3	8	18	33
100	100	229	427	250	220	180	24	158	3	8	18	50
125	125	254	460	300	250	210	26	188	3	8	18	70
150	150	267	493	300	285	240	26	212	3	8	22	88
200	200	292	607	350	340	295	26	268	3	8	22	127
250	250	330	714	400	405	355	30	320	3	12	26	198
300	300	358	789	450	460	410	32	378	4	12	26	275

DUCTILE IRON GATE VALVE(RISING STEM)-BS 4504 PN16

(FIG.No.):GTS3R-DB

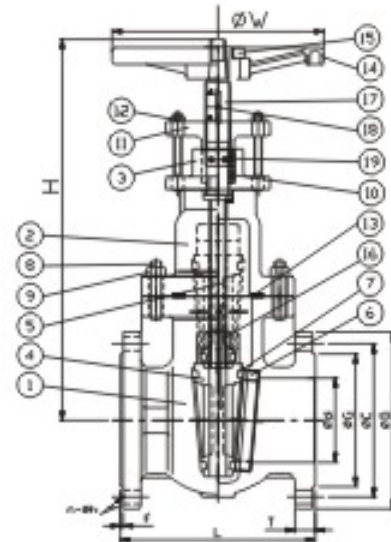
No.	Part Name	Materials
1.	Body	BS2789-450/10
2.	Bonnet	BS2789-450/10
3.	Yoke	BS2789-450/10
4.	Disc	BS2789-450/10
5.	Stem	13%Cr.
6.	Body Seat	1400-LG2
7.	Disc Seat	1400-LG2
8.	Bonnet Bolt	BS 5708
9.	Bonnet Nut	BS 5708
10.	Gasket	Grafoil+Steel
11.	Gland Packing	Graphite
12.	Gland Plate	BS2789-450/10

No.	Part Name	Materials
13.	Yoke Bolt	BS 5708
14.	Yoke Nut	BS 5708
15.	Gland Bolt	BS 5708
16.	Gland Nut	BS 5708
17.	Stem Nut	1400-LG2
18.	Hand Wheel Nut	BS2789-450/10
19.	Hand Wheel	BS2789-450/10

Test Pressure(ISO 5208)		
(Shell) Water	(Seat) Water	(Seat) Air
2.4MPa	1.76MPa	0.6MPa

Unit:mm

DN	φd	L	h	H (OPEN)	φW	FLANGE							WT(kg)
						φD	φC	T	φG	f	n	φh	
50	50	178	339	408	200	165	125	18	102	3	4	18	19
65	65	190	389	468	200	185	145	18	122	3	4	18	28
80	80	203	404	506	200	200	160	20	138	3	8	18	37
100	100	229	492	612	250	220	180	20	158	3	8	18	52
125	125	254	545	698	300	250	210	22	188	3	8	18	70
150	150	267	612	787	300	285	240	22	212	3	8	22	90
200	200	292	714	939	350	340	295	24	268	3	8	22	141
250	250	330	918	1195	400	405	355	26	320	3	12	26	227
300	300	356	1017	1350	450	460	410	28	378	4	12	26	292

DUCTILE IRON GATE VALVE(NON-RISING STEM)-BS 4504 PN16

(FIG.No.):NGTS3R-DB

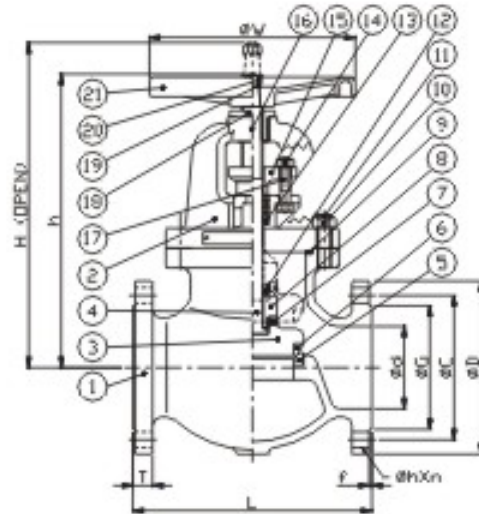
No.	Part Name	Materials
1.	Body	BS2789-450/10
2.	Bonnet	BS2789-450/10
3.	Stuffing Box	BS2789-450/10
4.	Disc	BS2789-450/10
5.	Stem	13%Cr.
6.	Body Seat	1400-LG2
7.	Disc Seat	1400-LG2
8.	Bonnet Bolt	BS 5708
9.	Bonnet Nut	BS 5708
10.	Gland Packing	Graphite
11.	Gland Plate	BS2789-450/10
12.	Gland Bolt	BS 5708

No.	Part Name	Materials
13.	Gasket	Grafolli+Steel
14.	Hand Wheel	BS2789-450/10
15.	Hand Wheel Nut	BS 5708
16.	Stem Nut	1400-LG2
17.	Indicator Plate	Steel
18.	Indicator Nut	BS2789-450/10
19.	Indicator Plate Bolt	BS 5708

Test Pressure(ISO 5208)		
(Shell) Water	(Seat) Water	(Seat) Air
2.4MPa	1.76MPa	0.6MPa

Unit:mm

DN	φd	L	H	φW	FLANGE							WT(kg)
					φD	φC	T	φG	f	n	φh	
50	50	178	270	200	165	125	18	102	3	4	18	21
65	65	190	304	200	185	145	18	122	3	4	18	26
80	80	203	340	200	200	160	20	138	3	8	18	33
100	100	229	427	250	220	180	20	158	3	8	18	50
125	125	254	460	300	250	210	22	188	3	8	18	70
150	150	267	493	300	285	240	22	212	3	8	22	88
200	200	292	607	350	340	295	24	268	3	8	22	127
250	250	330	714	400	405	355	26	320	3	12	26	198
300	300	358	789	450	460	410	28	378	4	12	26	275

CAST IRON GLOBE VALVE-BS 4504 PN10

(FIG.No.):GLS0R-CB

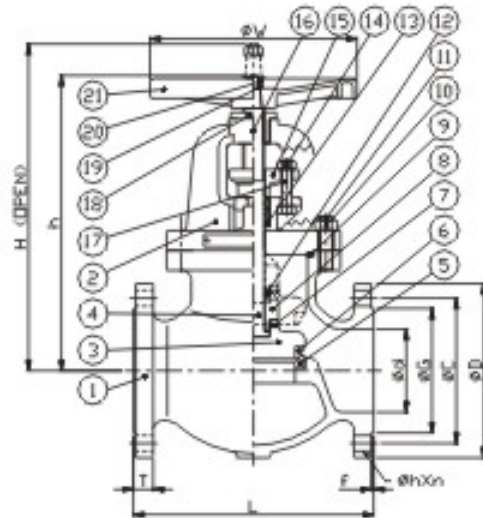
No.	Part Name	Materials
1.	Body	BS 1452 Gr.220
2.	Bonnet	BS 1452 Gr.220
3.	Disc	BS 1452 Gr.220
4.	Stem	BS 1452 Gr.220
5.	Body Seat	13%Cr.
6.	Disc Seat	1400-LG2
7.	Set Bolt	1400-LG2
8.	Disc Nut	BS 5708
9.	Gasket	BS 5708
10.	Bonnet Nut	Grafoli+Steel
11.	Bonnet Bolt	BS4882 Gr.B7
12.	Backseat	1400-LG2
13.	Gland Packing	Graphite

No.	Part Name	Materials
14.	Gland Nut	BS4882 Gr.4
15.	Gland Plate	BS4882 Gr.220
16.	Set Bolt	BS 5708
17.	Gland Bolt	BS4882 Gr.B7
18.	Stem Nut	1400-LG2
19.	Washer	BS 5708
20.	Hand Wheel Nut	BS 5708
21.	Hand Wheel	BS2789-450/10

Test Pressure(ISO 5208)		
(Shell) Water	(Seat) Water	(Seat) Air
1.5MPa	1.1MPa	0.6MPa

DN	φd	L	h	H (OPEN)	φW	FLANGE						WT(kg)	
						φD	φC	T	φG	f	n		φh
50	50	203	267	287	200	165	125	20	102	3	4	18	19
65	65	216	289	315	200	185	145	20	122	3	4	18	26
80	80	241	324	354	250	200	160	22	138	3	8	18	32
100	100	292	356	394	250	220	180	24	158	3	8	18	44
125	125	330	417	463	300	250	210	26	188	3	8	18	70
150	150	356	461	519	350	285	240	26	212	3	8	22	93
200	200	495	553	627	450	340	295	26	268	3	8	22	125
250	250	622	668	765	550	335	350	28	320	3	12	22	267
300	300	698	766	882	650	445	400	28	370	4	12	22	436
350	350	787	777	913	700	505	460	30	430	4	16	22	510

Unit:mm

CAST IRON GLOBE VALVE-BS 4504 PN16

(FIG.No.):GLS1R-CB

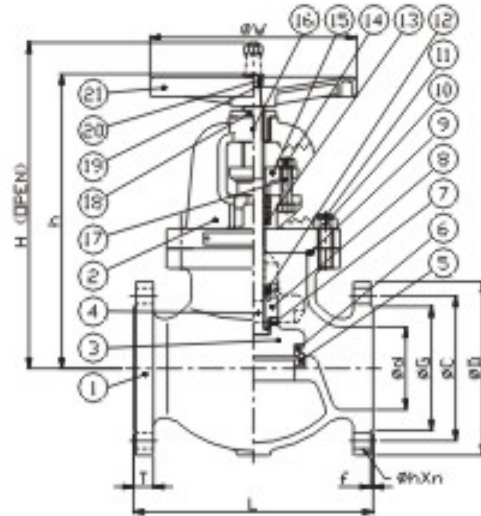
No.	Part Name	Materials
1.	Body	BS 1452 Gr.220
2.	Bonnet	BS 1452 Gr.220
3.	Disc	BS 1452 Gr.220
4.	Stem	BS 1452 Gr.220
5.	Body Seat	13%Cr.
6.	Disc Seat	1400-LG2
7.	Set Bolt	1400-LG2
8.	Disc Nut	BS 5708
9.	Gasket	BS 5708
10.	Bonnet Nut	Grafolli+Steel
11.	Bonnet Bolt	BS4882 Gr.B7
12.	Backseat	1400-LG2
13.	Gland Packing	Graphite

No.	Part Name	Materials
14.	Gland Nut	BS4882 Gr.4
15.	Gland Plate	BS4882 Gr.220
16.	Set Bolt	BS 5708
17.	Gland Bolt	BS4882 Gr.B7
18.	Stem Nut	1400-LG2
19.	Washer	BS 5708
20.	Hand Wheel Nut	BS 5708
21.	Hand Wheel	BS2789-450/10

Test Pressure(ISO 5208)		
(Shell) Water	(Seat) Water	(Seat) Air
2.4MPa	1.76MPa	0.6MPa

Unit:mm

DN	φd	L	h	H (OPEN)	φW	FLANGE							WT(kg)
						φD	φC	T	φG	f	n	φh	
50	50	203	267	287	200	165	125	20	102	3	4	18	19
65	65	216	289	315	200	185	145	20	122	3	4	18	26
80	80	241	324	354	250	200	160	22	138	3	8	18	32
100	100	292	356	394	250	220	180	24	158	3	8	18	44
125	125	330	417	463	300	250	210	26	188	3	8	18	70
150	150	356	461	519	350	285	240	26	212	3	8	22	93
200	200	495	553	627	450	340	295	30	268	3	12	22	125
250	250	622	668	765	550	405	355	32	320	3	12	26	267
300	300	698	766	882	650	460	410	32	378	4	12	26	436
350	350	787	777	913	700	520	470	36	438	4	16	26	510

DUCTILE IRON GLOBE VALVE-BS 4504 PN16

(FIG.No.):GLS3R-DB

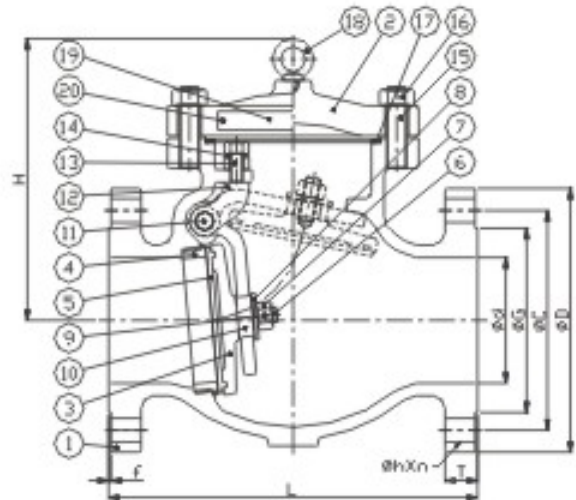
No.	Part Name	Materials
1.	Body	BS2789-450/10
2.	Bonnet	BS2789-450/10
3.	Disc	BS2789-450/10
4.	Stem	13%Cr.
5.	Body Seat	1400-LG2
6.	Disc Seat	1400-LG2
7.	Set Bolt	BS 5708
8.	Disc Nut	BS 5708
9.	Gasket	Grafol+Steel
10.	Bonnet Nut	BS4882 Gr.4
11.	Bonnet Bolt	BS4882 Gr.B7
12.	Backseat	1400-LG2
13.	Gland Packing	Graphite

No.	Part Name	Materials
14.	Gland Nut	BS4882 Gr.4
15.	Gland Plate	BS4882 Gr.220
16.	Set Bolt	BS 5708
17.	Gland Bolt	BS4882 Gr.B7
18.	Stem Nut	1400-LG2
19.	Washer	BS 5708
20.	Hand Wheel Nut	BS 5708
21.	Hand Wheel	BS2789-450/10

Test Pressure(ISO 5208)		
(Shell) Water	(Seat) Water	(Seat) Air
2.4MPa	1.76MPa	0.6MPa

Unit:mm

DN	φd	L	h	H (OPEN)	φW	FLANGE							WT(kg)
						φD	φC	T	φG	f	n	φh	
50	50	203	267	287	200	165	125	20	102	3	4	18	19
65	65	216	289	315	200	185	145	20	122	3	4	18	26
80	80	241	324	354	250	200	160	22	138	3	8	18	32
100	100	292	356	394	250	220	180	24	158	3	8	18	44
125	125	330	417	463	300	250	210	26	188	3	8	18	70
150	150	358	461	519	350	285	240	26	212	3	8	22	93
200	200	495	553	627	450	340	295	30	268	3	12	22	125
250	250	622	668	765	550	405	355	32	320	3	12	26	267
300	300	698	766	882	650	460	410	32	378	4	12	26	436
350	350	787	777	913	700	520	470	36	438	4	16	26	510

CAST IRON SWING CHECK VALVE-BS 4504 PN10

(FIG.No.):SCS0R-CB

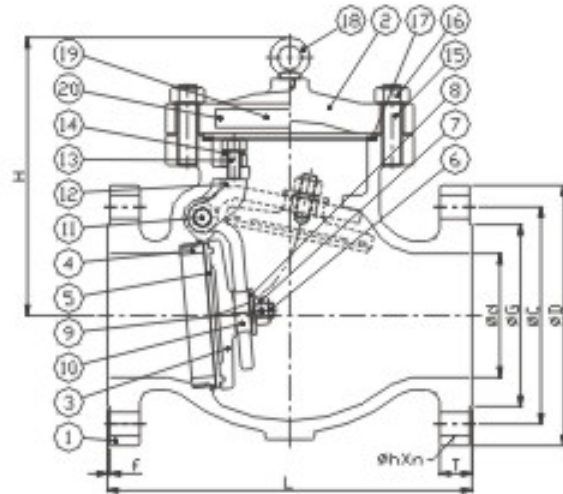
No.	Part Name	Materials
1.	Body	BS 1452-220
2.	Bonnet	BS 1452-220
3.	Disc	BS 1452-220
4.	Body Seat	1400-LG2
5.	Disc Seat	1400-LG2
6.	Disc Bolt	BS 5708
7.	Disc Nut	BS 5708
8.	Disc Washer	Steel
9.	Split Pin	BS 5708
10.	Swing Arm	1.0619
11.	Hige Pin	13%Cr.
12.	Swing Arm Sustain	1.0619

No.	Part Name	Materials
13.	Sustain Bolt	BS 5708
14.	Sustain Washer	Steel
15.	Cover Bolt	BS4882 Gr.B7
16.	Cover Nut	BS4882 Gr.4
17.	Gasket	Grafoll+Steel
18.	Eye Bolt	BS 5708

Test Pressure(ISO 5208)		
(Shell) Water	(Seat) Water	(Seat) Air
1.5MPa	1.1MPa	0.6MPa

Unit:mm

DN	φd	L	H	FLANGE							WT(kg)
				φD	φC	T	φG	f	n	φh	
50	50	203	174	165	125	20	102	3	4	18	14
65	65	216	192	185	145	20	122	3	4	18	19
80	80	241	212	200	160	22	138	3	8	18	22
100	100	292	232	220	180	22	158	3	8	18	30
125	125	330	267	250	210	24	188	3	8	18	50
150	150	356	320	285	240	26	212	3	8	22	70
200	200	495	354	340	295	28	268	3	8	22	117
250	250	622	397	395	350	28	320	3	12	22	187
300	300	698	486	445	400	28	370	4	12	22	259

CAST IRON SWING CHECK VALVE-BS 4504 PN16

(FIG.No.):SCS1R-CB

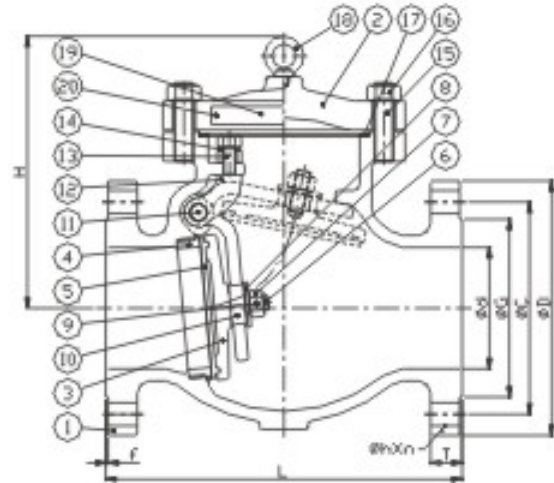
No.	Part Name	Materials
1.	Body	BS 1452-220
2.	Bonnet	BS 1452-220
3.	Disc	BS 1452-220
4.	Body Seat	1400-LG2
5.	Disc Seat	1400-LG2
6.	Disc Bolt	BS 5708
7.	Disc Nut	BS 5708
8.	Disc Washer	Steel
9.	Split Pin	BS 5708
10.	Swing Arm	1.0619
11.	Hilge Pin	13%Cr.
12.	Swing Arm Sustain	1.0619

No.	Part Name	Materials
13.	Sustain Bolt	BS 5708
14.	Sustain Washer	Steel
15.	Cover Bolt	BS4882 Gr.B7
16.	Cover Nut	BS4882 Gr.4
17.	Gasket	Grafoll+Steel
18.	Eye Bolt	BS 5708

Test Pressure(ISO 5208)		
(Shell) Water	(Seat) Water	(Seat) Air
2.4MPa	1.76MPa	0.6MPa

Unit:mm

DN	φd	L	H	FLANGE							WT(kg)
				φD	φC	T	φG	f	n	φh	
50	50	203	174	165	125	20	102	3	4	18	14
65	65	216	192	185	145	20	122	3	4	18	19
80	80	241	212	200	160	22	138	3	8	18	22
100	100	292	232	220	180	24	158	3	8	18	30
125	125	330	367	250	210	26	188	3	8	18	50
150	150	358	320	285	240	26	212	3	8	22	70
200	200	495	354	340	295	30	268	3	12	22	117
250	250	622	397	405	355	32	320	3	12	26	187
300	300	698	486	460	410	32	378	4	12	26	259

DUCTILE IRON SWING CHECK VALVE-BS 4504 PN16

(FIG.No.):SCS3R-DB

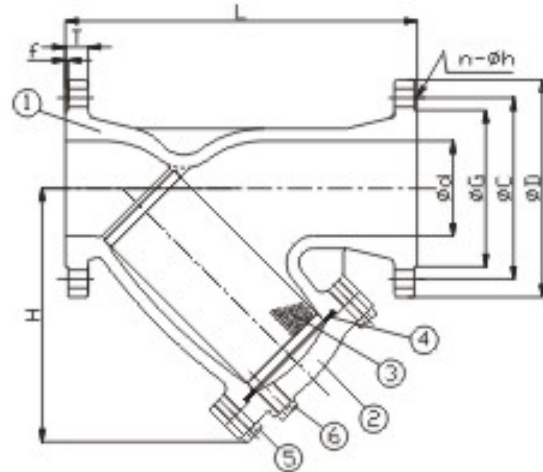
No.	Part Name	Materials
1.	Body	BS 1452-220
2.	Bonnet	BS 1452-220
3.	Disc	BS 1452-220
4.	Body Seat	1400-LG2
5.	Disc Seat	1400-LG2
6.	Disc Bolt	BS 5708
7.	Disc Nut	BS 5708
8.	Disc Washer	Steel
9.	Split Pin	BS 5708
10.	Swing Arm	1.0619
11.	Hige Pin	13%Cr.
12.	Swing Arm Sustain	1.0619

No.	Part Name	Materials
13.	Sustain Bolt	BS 5708
14.	Sustain Washer	Steel
15.	Cover Bolt	BS4882 Gr.B7
16.	Cover Nut	BS4882 Gr.4
17.	Gasket	Grafoll+Steel
18.	Eye Bolt	BS 5708

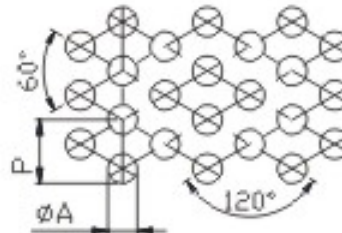
Test Pressure(ISO 5208)		
(Shell) Water	(Seat) Water	(Seat) Air
2.4MPa	1.76MPa	0.6MPa

Unit:mm

DN	φd	L	H	FLANGE							WT(kg)
				φD	φC	T	φG	f	n	φh	
50	50	203	174	165	125	18	102	3	4	18	14
65	65	216	192	185	145	18	122	3	4	18	19
80	80	241	212	200	160	20	138	3	8	18	22
100	100	292	232	220	180	20	158	3	8	18	30
125	125	330	267	250	210	22	188	3	8	18	50
150	150	356	320	285	240	22	212	3	8	22	70
200	200	495	354	340	295	24	268	3	12	22	117
250	250	622	397	405	355	26	320	3	12	26	187
300	300	698	486	460	410	26	378	4	12	26	259

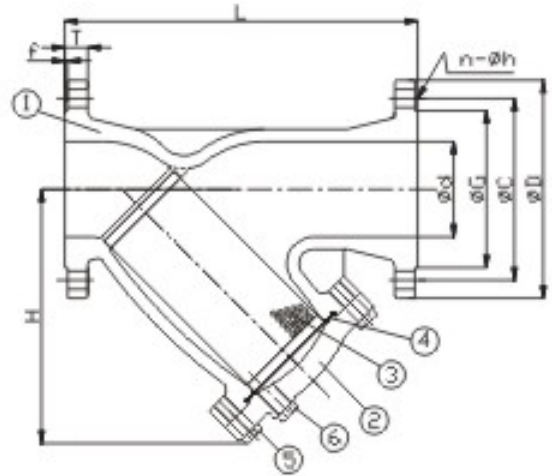
CAST IRON Y-STRAINER-BS 4504 PN10

(FIG.No.):YSS0R-CS3

No.	Part Name	Materials
1.	Body	BS 1452-220
2.	Cover	BS 1452-220
3.	Screen	S.S304
4.	Gasket	Grafoil+Steel
5.	Cover Bolt	BS4882 Gr.B7
6.	Plug	BS 5708

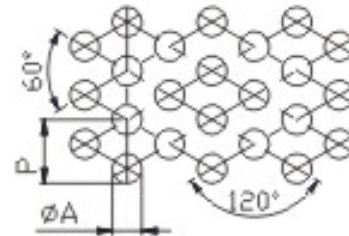

**ISO 5208
Test Pressure(Water)**
1.5MPa

Unit:mm

DN	φd	L	H	FLANGE							SCREEN		WT(kg)
				φD	φC	T	φG	f	n	φh	P	φA	
50	50	250	167	165	125	18	102	3	4	18	2.5	1.5	14
65	65	285	193	185	145	18	122	3	4	18	2.5	1.5	18
80	80	315	210	200	160	20	138	3	8	18	2.5	1.5	23
100	100	370	256	220	180	20	153	3	8	18	2.5	1.5	37
125	125	450	318	250	210	22	188	3	8	18	2.5	1.5	56
150	150	510	364	285	240	22	212	3	8	22	2.5	1.5	80
200	200	600	507	340	295	24	268	3	8	22	2.5	1.5	126
250	250	740	600	395	350	26	320	3	12	22	3	2	216
300	300	850	673	445	400	28	370	4	12	22	3	2	271

CAST IRON Y-STRAINER-BS 4504 PN16

(FIG.No.):YSS1R-CS3

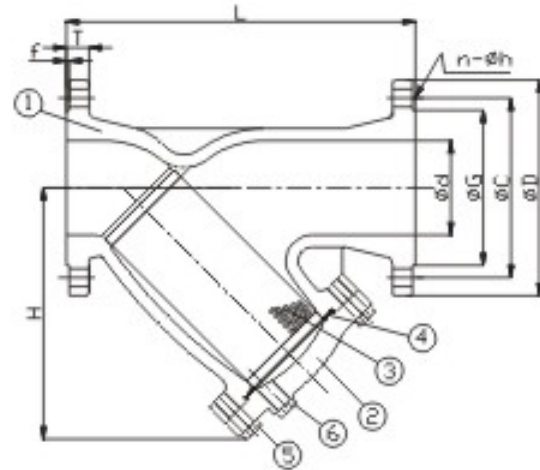
No.	Part Name	Materials
1.	Body	BS 1452-220
2.	Cover	BS 1452-220
3.	Screen	S.S304
4.	Gasket	Grafol+Steel
5.	Cover Bolt	BS4882 Gr.B7
6.	Plug	BS 5708



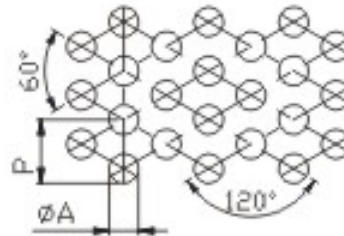
ISO 5208 Test Pressure(Water)	2.4MPa
----------------------------------	--------

Unit:mm

DN	φd	L	H	FLANGE							SCREEN		WT(kg)
				φD	φC	T	φG	f	n	φh	P	φA	
50	50	250	167	165	125	18	102	3	4	18	2.5	1.5	14
65	65	285	193	185	145	18	122	3	4	18	2.5	1.5	18
80	80	315	210	200	160	20	138	3	8	18	2.5	1.5	23
100	100	370	256	220	180	20	158	3	8	18	2.5	1.5	37
125	125	450	318	250	210	22	188	3	8	18	2.5	1.5	56
150	150	510	364	285	240	22	212	3	8	22	2.5	1.5	80
200	200	600	507	340	295	24	268	3	12	22	2.5	1.5	126
250	250	740	600	405	355	26	320	3	12	26	3	2	216
300	300	850	673	460	410	28	378	4	12	26	3	2	271

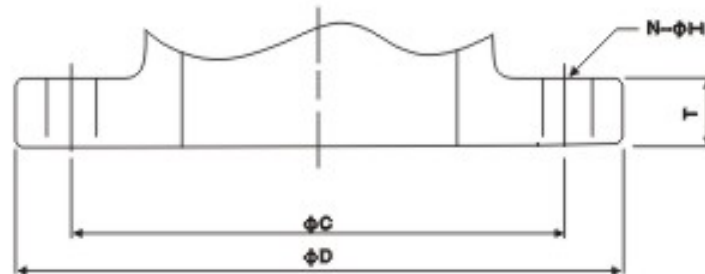
DUCTILE IRON Y-STRAINER-BS 4504 PN16

(FIG.No.):YSS3R-DS3

No.	Part Name	Materials
1.	Body	BS2789-450/10
2.	Cover	BS2789-450/10
3.	Screen	S.S304
4.	Gasket	Grafol+Steel
5.	Cover Bolt	BS4882 Gr.B7
6.	Plug	BS 5708

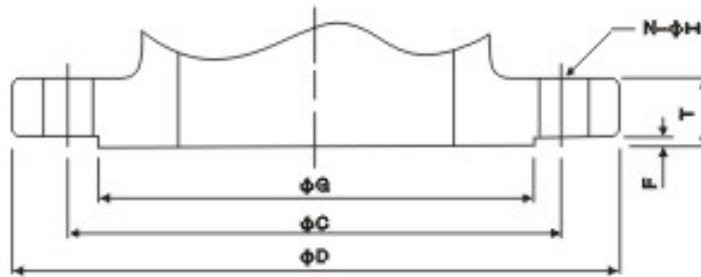

**ISO 5208
Test Pressure(Water)**
2.4MPa

Unit:mm

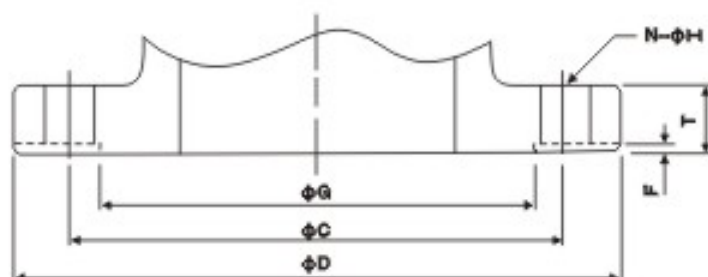
DN	φd	L	H	FLANGE							SCREEN		WT(kg)
				φD	φC	T	φG	f	n	φh	P	φA	
50	50	250	167	165	125	18	102	3	4	18	2.5	1.5	14
65	65	285	193	185	145	18	122	3	4	18	2.5	1.5	18
80	80	315	210	200	160	20	138	3	8	18	2.5	1.5	23
100	100	370	256	220	180	20	153	3	8	18	2.5	1.5	37
125	125	450	318	250	210	22	188	3	8	18	2.5	1.5	56
150	150	510	364	285	240	22	212	3	8	22	2.5	1.5	80
200	200	600	507	340	295	24	268	3	12	22	2.5	1.5	126
250	250	740	600	405	355	26	320	3	12	26	3	2	216
300	300	850	673	460	410	28	378	4	12	26	3	2	271

FLANGE DIMENSIONAL LIST


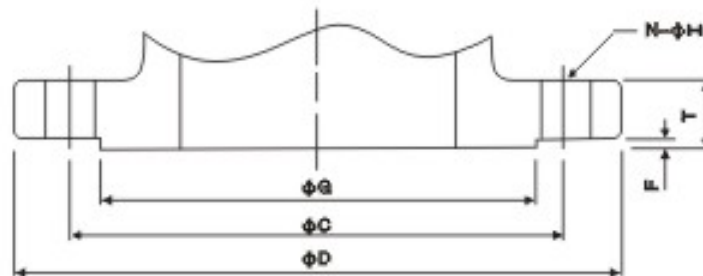
ANSI B16.1 CLASS 125#(CAST IRON)						Unit:mm
DN/Inch	ϕD	T	ϕC	N	ϕH	Bolt(Inch)
1	110	11.1	79.0	4	15.7	1/2
1 1/4	115	12.7	89.0	4	15.7	1/2
1 1/2	125	14.3	98.0	4	15.7	1/2
2	150	15.9	121.0	4	19.1	5/8
2 1/2	180	17.5	140.0	4	19.1	5/8
3	190	19.0	152.0	4	19.1	5/8
4	230	23.8	191.0	8	19.1	5/8
5	255	23.8	216.0	8	22.2	3/4
6	280	25.4	241.0	8	22.2	3/4
8	345	28.6	299.0	8	22.2	3/4
10	405	30.2	362.0	12	25.4	7/8
12	485	31.8	432.0	12	25.4	7/8
14	535	32.4	476.0	12	28.4	1
16	595	36.5	540.0	16	28.4	1
18	635	39.7	578.0	16	31.8	1 1/8
20	700	42.9	635.0	20	31.8	1 1/8
24	815	47.6	949.0	20	35.1	1 1/4
30	985	54.0	914.0	28	35.1	1 1/4
36	1170	60.3	1086.0	32	41.1	1 1/2
42	1345	66.7	1257.0	36	41.1	1 1/2
48	1510	69.9	1422.0	44	41.1	1 1/2
54	1685	76.2	1594.0	44	50.8	1 3/4
60	1855	79.4	1759.0	52	50.8	1 3/4
72	2195	88.9	2096.0	60	50.8	1 3/4
84	2535	98.4	2426.0	64	57.2	2
96	2875	108.0	2756.0	68	63.2	2 1/4

FLANGE DIMENSIONAL LIST


ANSI B16.1 CLASS 250#(CAST IRON)								Unit:mm
DN/Inch	ϕD	T	ϕG	F	ϕC	N	ϕH	Bolt(Inch)
1	125	17.5	68	2	89.0	4	19.1	5/8
1 1/4	135	19.0	78	2	98.0	4	19.1	5/8
1 1/2	155	20.6	91	2	114.0	4	22.2	3/4
2	165	22.2	106	2	127.0	8	19.1	5/8
2 1/2	190	25.4	125	2	149.0	8	22.2	3/4
3	210	28.6	144	2	168.0	8	22.2	3/4
4	255	31.8	176	2	200.0	8	22.2	3/4
5	280	34.9	211	2	235.0	8	22.2	3/4
6	320	36.5	246	2	270.0	12	22.2	3/4
8	380	41.3	303	2	330.0	12	25.4	7/8
10	445	47.6	357	2	387.0	16	28.4	1
12	520	50.8	418	2	451.0	16	31.8	1 1/8
14	585	54.0	481	2	514.0	20	31.8	1 1/8
16	650	57.2	535	2	572.0	20	35.1	1 1/4
18	710	60.3	592	2	629.0	24	35.1	1 1/4
20	775	63.5	649	2	686.0	24	35.1	1 1/4
24	915	69.8	770	2	813.0	24	41.1	1 1/2
30	1090	76.2	945	2	997.0	28	50.8	1 3/4
36	1270	85.7	1110	2	1168.0	32	57.2	2
42	1450	93.7	1281	2	1340.0	36	57.5	2
48	1650	101.6	1484	2	1543.0	40	57.2	2

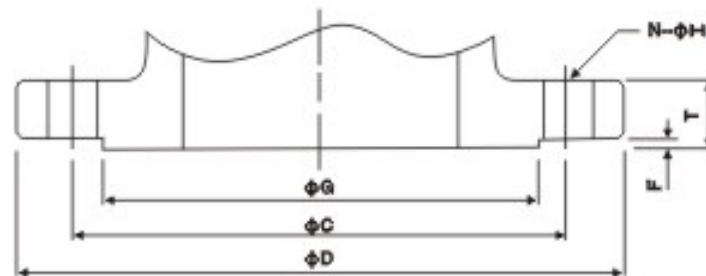
FLANGE DIMENSIONAL LIST


JIS B2239 10K(CAST IRON)								Unit:mm
DN/mm	ϕD	T	ϕG	F	ϕC	N	ϕH	Bolt
10	90	14	46	1	65	4	15	M12
15	95	16	51	1	70	4	15	M12
20	100	18	56	1	75	4	15	M12
25	125	18	67	1	90	4	19	M16
32	135	20	76	2	100	4	19	M16
40	140	20	81	2	105	4	19	M16
50	155	20	96	2	120	4	19	M16
65	175	22	116	2	140	4	19	M16
80	185	22	126	2	150	8	19	M16
100	210	24	151	2	175	8	19	M16
125	250	24	182	2	210	8	23	M20
150	280	26	212	2	240	8	23	M20
200	330	26	262	2	290	8	23	M20
250	400	30	324	2	355	12	25	M22
300	445	32	368	2	400	12	25	M22
350	490	34	413	3	445	16	25	M22
400	560	36	475	3	510	16	27	M24
450	620	38	530	3	565	16	27	M24
500	675	40	585	3	620	20	27	M24
550	745	42	640	3	680	20	33	M30
600	795	44	690	3	730	20	33	M30
650	845	46	740	3	780	24	33	M30
700	905	48	800	3	840	24	33	M30
750	970	50	855	3	900	24	33	M30
800	1020	52	905	3	950	24	33	M30
850	1070	52	955	3	1000	28	33	M30
900	1120	54	1005	3	1050	28	33	M30
1000	1235	58	1110	3	1160	28	39	M36
1100	1345	62	1220	3	1270	28	39	M36
1200	1465	66	1325	3	1380	32	39	M36
1350	1630	70	1480	3	1540	36	45	M42
1500	1795	74	1635	3	1700	40	45	M42

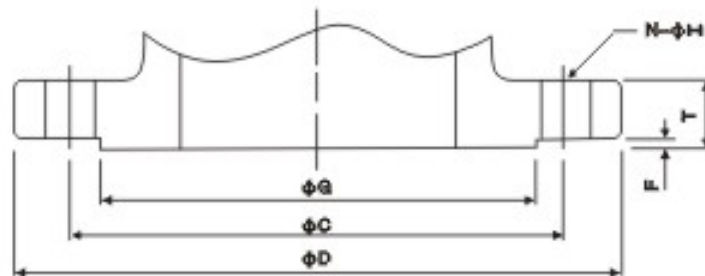
FLANGE DIMENSIONAL LIST


JIS B2239 16K								Unit:mm
DN/mm	ϕD	T	ϕG	F	ϕC	N	ϕH	Bolt
10	90	12	46	1	65	4	15	M12
15	95	12	51	1	70	4	15	M12
20	100	14	56	1	75	4	15	M12
25	125	14	67	1	90	4	19	M16
32	135	16	76	2	100	4	19	M16
40	140	16	81	2	105	4	19	M16
50	155	16	96	2	120	4	19	M16
65	175	18	116	2	140	8	19	M16
80	200	20	132	2	160	8	23	M20
100	225	22	160	2	185	8	23	M20
125	270	22	195	2	225	8	25	M22
150	305	24	230	2	260	12	25	M22
200	350	26	275	2	305	12	25	M22
250	435	28	345	2	380	12	27	M24
300	480	30	395	3	430	16	27	M24
350	540	34	440	3	480	16	33	M30x3
400	605	38	495	3	540	16	33	M30x3
450	675	40	560	3	605	20	33	M30x3
500	730	42	615	3	660	20	33	M30x3
550	795	44	670	3	720	20	39	M36x3
600	845	46	720	3	770	24	39	M36x3
650	895	48	770	5	820	24	39	M36x3
700	960	50	820	5	875	24	42	M39x3
750	1020	52	880	5	935	24	42	M39x3
800	1085	54	930	5	990	24	48	M45x3
850	1135	56	980	5	1040	24	48	M45x3
900	1185	58	1030	5	1090	28	48	M45x3
1000	1320	62	1140	5	1210	28	56	M52x3
1100	1420	66	1240	5	1310	32	56	M52x3
1200	1530	70	1350	5	1420	32	56	M52x3

JIS B2239 16K(CAST IRON)								Unit:mm
DN/mm	ϕD	T	ϕG	F	ϕC	N	ϕH	Bolt
50	155	20	96	2	120	8	19	M16
65	175	24	116	2	140	8	19	M16
80	200	26	132	2	160	8	23	M20
100	225	26	160	2	185	8	23	M20
125	270	28	195	2	225	8	25	M22
150	305	30	230	2	260	12	25	M22
200	350	34	275	2	305	12	25	M22
250	435	36	345	2	380	12	27	M24
300	480	38	395	3	430	16	27	M24
350	540	42	440	3	480	16	33	M30x3
400	605	46	495	3	540	16	33	M30x3
450	675	50	560	3	605	20	33	M30x3
500	730	54	615	3	660	20	33	M30x3
550	795	56	670	3	720	20	39	M36x3
600	845	58	720	3	770	24	39	M36x3

FLANGE DIMENSIONAL LIST


BS4504-PN10(CAST IRON)								Unit:mm
DN/mm	ϕD	T	ϕG	F	ϕC	N	ϕH	Bolt
10	90	14	40	2	60	4	14	M12
15	95	14	45	2	65	4	14	M12
20	105	16	58	2	75	4	14	M12
25	115	16	68	2	85	4	14	M12
32	140	18	78	2	100	4	18	M16
40	150	18	88	3	110	4	18	M16
50	165	20	102	3	125	4	18	M16
65	185	22	122	3	145	4	18	M16
80	200	22	138	3	160	8	18	M16
100	220	24	158	3	180	8	18	M16
125	250	26	188	3	210	8	18	M16
150	285	26	212	3	240	8	22	M20
200	340	26	268	3	295	8	22	M20
250	395	28	320	4	350	12	22	M20
300	445	28	370	4	400	12	22	M20
350	505	30	430	4	460	16	22	M20
400	565	32	482	4	515	16	26	M24
450	615	32	532	4	565	20	26	M24
500	670	34	585	4	620	20	26	M24
600	780	36	685	5	725	20	30	M27
700	895	40	800	5	840	24	30	M27
800	1015	44	905	5	950	24	33	M30
900	1115	46	1005	5	1050	28	33	M30
1000	1230	50	1110	5	1160	28	36	M33
1200	1455	56	1330	5	1380	32	39	M36
1400	1675	62	1535	5	1590	36	42	M39
1600	1915	68	1760	5	1820	40	48	M45
1800	2115	70	1960	5	2020	44	48	M45
2000	2325	74	2170	5	2230	48	48	M45
2200	2550	80	2370	5	2440	52	56	M52
2400	2760	82	2570	5	2650	56	56	M52
2600	2960	88	2780	5	2850	60	56	M52
2800	3180	94	3000	5	3070	64	56	M52
3000	3405	100	3210	5	3290	68	62	M56

FLANGE DIMENSIONAL LIST


BS4504-PN16(CAST IRON)								Unit:mm
DN/mm	ϕD	T	ϕG	F	ϕC	N	ϕH	Bolt
10	90	14	40	2	60	4	14	M12
15	95	14	45	2	65	4	14	M12
20	100	16	58	2	75	4	14	M12
25	125	16	68	2	85	4	14	M12
32	135	18	78	2	100	4	18	M16
40	140	18	88	3	110	4	18	M16
50	155	20	102	3	125	4	18	M16
65	175	20	122	3	145	4	18	M16
80	185	22	138	3	160	8	18	M16
100	210	24	158	3	180	8	18	M16
125	250	26	188	3	210	8	18	M16
150	285	26	212	3	240	8	22	M20
200	340	30	268	3	295	12	22	M20
250	405	32	320	3	355	12	26	M24
300	460	32	378	4	410	12	26	M24
350	520	36	438	4	470	16	26	M24
400	580	38	490	4	525	16	30	M27
450	640	40	550	4	585	20	30	M27
500	715	42	610	4	650	20	33	M30
600	840	48	725	5	770	20	36	M33
700	910	54	795	5	840	24	36	M33
800	1025	58	900	5	950	24	39	M36
900	1125	62	1000	5	1050	28	39	M36
1000	1255	66	1115	5	1170	28	42	M39



ASTAM



ASTAM VAVLE reserves the right to change details without notice.
Copy right by ASTAM. All rights reserved atalogue No.:TB-91-1 070930-E2